

# **Extrablame**®

## Riscaldamento a Pellet



UK

**MADE IN ITALY**  
design & production

### **PELLET STOVES USER MANUAL**

### **INSERTO COMFORT P85 - P85 PLUS**

004280237 - Rev 000



## **ATTENTION**



**SURFACES CAN BECOME VERY HOT!  
ALWAYS USE PROTECTIVE GLOVES!**

*During combustion, thermal energy is released that significantly increases the heat of surfaces, doors, handles, controls, glass, exhaust pipes, and even the front of the appliance. Avoid contact with those elements if not wearing protective clothing (protective gloves included). Make sure children are aware of the danger and keep them away from the stove during operation.*

<b>ENGLISH</b> .....	<b>4</b>
<b>WARNINGS</b> .....	<b>4</b>
<b>SAFETY</b> .....	<b>4</b>
<b>ROUTINE MAINTENANCE</b> .....	<b>6</b>
<b>INSTALLATION</b> .....	<b>7</b>
MINIMUM DISTANCES.....	7
PREPARATIONS FOR MAINTENANCE.....	7
<b>DETAILS OF COMFORT P85 INSERT</b> .....	<b>9</b>
<b>DETAILS OF COMFORT P85 PLUS INSERT</b> .....	<b>10</b>
<b>INSTALLATION OF COMFORT P85 - P85 PLUS INSERT</b> .....	<b>11</b>
GENERAL.....	11
MINIMUM CLEARANCE.....	11
INSTALLATION.....	12
<b>FRESH AIR DUCTS</b> .....	<b>14</b>
EXISTING INSTALLATION.....	14
NEW INSTALLATION.....	15
<b>SAFETY LATCH</b> .....	<b>16</b>
<b>EXTRACTION OF INSERT AND PELLET LOADING</b> .....	<b>17</b>
<b>PELLETS AND FEEDING</b> .....	<b>17</b>
<b>OPTIONAL LOADING ACCESSORIES</b> .....	<b>18</b>
FRONT PELLET LOADING KIT.....	18
UPPER/SIDE PELLET LOADING KIT.....	18
<b>BULB THERMOSTAT REARM</b> .....	<b>18</b>
<b>FUSE</b> .....	<b>18</b>
<b>AIR DUCTING FEATURES INSERT P85 PLUS</b> .....	<b>19</b>
FACTORY DEFAULT OPERATION IN AIR DUCTING MODE.....	19
OPERATION IN AIR DUCTING WITH THERMOSTAT OR PROBE (OPTIONAL).....	19
<b>TA ADDITIONAL THERMOSTAT (OPTIONAL)</b> .....	<b>20</b>
<b>EMERGENCY MODULE</b> .....	<b>21</b>
<b>RADIO CONTROL</b> .....	<b>22</b>
CONFIGURATION.....	22
RADIO CONTROL ROOM PROBE CALIBRATION.....	22
BATTERY TYPE AND REPLACEMENT.....	22
<b>RADIO CONTROL FEATURES</b> .....	<b>23</b>
<b>DISPLAY</b> .....	<b>24</b>
<b>GENERAL MENU</b> .....	<b>25</b>
GENERAL WARNINGS.....	26
<b>FIRST IGNITION SETTINGS</b> .....	<b>26</b>
DATE/TIME.....	26
LANGUAGE.....	26
DEGREES.....	26
<b>OPERATION AND LOGIC</b> .....	<b>27</b>
<b>FRONT AIR</b> .....	<b>28</b>
<b>AIR DUCTING 1</b> .....	<b>28</b>
<b>AIR DUCTING 2</b> .....	<b>28</b>
<b>EASY SETUP</b> .....	<b>28</b>
<b>CHRONO</b> .....	<b>28</b>
ENABLING.....	29
PRG 1-4.....	29
<b>SETTINGS</b> .....	<b>31</b>
DISPLAY.....	31
STAND BY.....	31
OPERATION WITH ADDITIONAL THERMOSTAT (OPTIONAL).....	31
FIRST LOAD.....	32
DELTA-T.....	32
RESET.....	32
<b>ADDITIONAL FUNCTIONS</b> .....	<b>32</b>
DELAY SWITCH-OFF.....	32
<b>CLEANING AND MAINTENANCE</b> .....	<b>33</b>
<b>MAINTENANCE</b> .....	<b>33</b>
PERIODIC CLEANING UNDER USER'S RESPONSIBILITY.....	33
<b>ROUTINE MAINTENANCE PERFORMED BY QUALIFIED TECHNICIANS</b> .....	<b>35</b>
SHUT-DOWN (END OF SEASON).....	35
<b>DISPLAYS</b> .....	<b>37</b>
<b>ALARMS</b> .....	<b>37</b>
<b>GUARANTEE TERMS</b> .....	<b>38</b>
<b>DISPOSAL</b> .....	<b>39</b>

*We thank you for having chosen our company; our product is a great heating solution developed from the most advanced technology with top quality machining and modern design, aimed at making you enjoy the fantastic sensation that the heat of a flame gives, in complete safety.*

## **WARNINGS**

This instructions manual is an integral part of the product: make sure that it always accompanies the appliance, even if transferred to another owner or user, or if transferred to another place. If it is damaged or lost, request another copy from the area technician. This product is intended for the use for which it has been expressly designed. The manufacturer is exempt from any liability, contractual and extracontractual, for injury/damage caused to persons/animals and objects, due to installation, adjustment and maintenance errors and improper use.

**Installation must be performed by qualified staff, which assumes complete responsibility for the definitive installation and consequent good functioning of the product installed. One must also bear in mind all laws and national, regional, provincial and town council Standards present in the country in which the appliance has been installed, as well as the instructions contained in this manual.**

**The Manufacturer cannot be held responsible for the failure to comply with such precautions.**

**After removing the packaging, ensure that the content is intact and complete. Otherwise, contact the dealer where the appliance was purchased.** All electric components that make up the product must be replaced with original spare parts exclusively by an authorised after-sales centre, thus guaranteeing correct functioning.

## **SAFETY**

- ◆ **THE APPLIANCE MAY BE USED BY CHILDREN 8 YEARS OF AGE OR OLDER AND INDIVIDUALS WITH REDUCED PHYSICAL, SENSORY, OR MENTAL CAPACITIES OR WITHOUT EXPERIENCE OR THE NECESSARY KNOWLEDGE, PROVIDED THAT THEY ARE SUPERVISED OR HAVE RECEIVED INSTRUCTIONS ON SAFE USE OF THE APPLIANCE AND THAT THEY UNDERSTAND THE INHERENT DANGERS.**
- ◆ **THE GENERATOR MUST NOT BE USED BY PERSONS (INCLUDING**

CHILDREN) WITH REDUCED PHYSICAL, SENSORY AND MENTAL CAPACITIES OR WHO ARE UNSKILLED PERSONS, UNLESS THEY ARE SUPERVISED AND TRAINED REGARDING USE OF THE APPLIANCE BY A PERSON RESPONSIBLE FOR THEIR SAFETY.

- ◆ THE CLEANING AND MAINTENANCE REQUIRED BY THE USER MUST NOT BE PERFORMED BY CHILDREN WITHOUT SUPERVISION.
- ◆ CHILDREN MUST BE CHECKED TO ENSURE THAT THEY DO NOT PLAY WITH THE APPLIANCE.
- ◆ DO NOT TOUCH THE GENERATOR WHEN YOU ARE BAREFOOT OR WHEN PARTS OF THE BODY ARE WET OR DAMP.
- ◆ THE SAFETY AND ADJUSTMENT DEVICES MUST NOT BE MODIFIED WITHOUT THE AUTHORISATION OR INDICATIONS OF THE MANUFACTURER.
- ◆ DO NOT PULL, REMOVE, TWIST THE ELECTRICAL CABLES COMING OUT OF THE PRODUCT EVEN IF IT IS DISCONNECTED FROM THE MAINS.
- ◆ IT IS ADVISED TO POSITION THE POWER SUPPLY CABLE SO THAT IT DOES NOT COME INTO CONTACT WITH HOT PARTS OF THE APPLIANCE.
- ◆ THE POWER SUPPLY PLUG MUST BE ACCESSIBLE AFTER INSTALLATION.
- ◆ DO NOT CLOSE OR REDUCE THE DIMENSIONS OF THE AIRING VENTS IN THE PLACE OF INSTALLATION. THE AIRING VENTS ARE ESSENTIAL FOR CORRECT COMBUSTION.
- ◆ DO NOT LEAVE THE PACKAGING ELEMENTS WITHIN REACH OF CHILDREN OR UNASSISTED DISABLED PERSONS.
- ◆ THE HEARTH DOOR MUST ALWAYS BE CLOSED DURING NORMAL FUNCTIONING OF THE PRODUCT.
- ◆ WHEN THE APPLIANCE IS FUNCTIONING AND HOT TO THE TOUCH, ESPECIALLY ALL EXTERNAL SURFACES, ATTENTION MUST BE PAID
- ◆ CHECK FOR THE PRESENCE OF ANY OBSTRUCTIONS BEFORE SWITCHING THE APPLIANCE ON FOLLOWING A PROLONGED PERIOD OF INACTIVITY.
- ◆ THE GENERATOR HAS BEEN DESIGNED TO FUNCTION IN ANY CLIMATIC CONDITION. IN PARTICULARLY ADVERSE CONDITIONS (STRONG WIND, FREEZING) SAFETY SYSTEMS MAY INTERVENE THAT SWITCH THE GENERATOR OFF. IF THIS OCCURS, CONTACT THE TECHNICAL AFTER-SALES SERVICE AND ALWAYS DISABLE THE SAFETY

**SYSTEMS.**

- ◆ IN THE EVENT THE FLUE CATCHES FIRE, USE SUITABLE SYSTEMS FOR SUFFOCATING THE FLAMES OR REQUEST HELP FROM THE FIRE BRIGADE.
- ◆ THIS APPLIANCE MUST NOT BE USED TO BURN WASTE
- ◆ DO NOT USE ANY FLAMMABLE LIQUIDS FOR IGNITION
- ◆ DURING THE FILLING PHASE DO NOT PUT THE BAG OF PELLETS TO INTO CONTACT WITH THE PRODUCT
- ◆ THE MAJOLICAS ARE TOP QUALITY ARTISAN PRODUCTS AND AS SUCH CAN HAVE MICRO-DOTS, CRACKLES AND CHROMATIC IMPERFECTIONS. THESE FEATURES HIGHLIGHT THEIR VALUABLE NATURE. DUE TO THEIR DIFFERENT DILATION COEFFICIENT, THEY PRODUCE CRACKLING, WHICH DEMONSTRATE THEIR EFFECTIVE AUTHENTICITY. TO CLEAN THE MAJOLICAS, IT IS RECOMMENDED TO USE A SOFT, DRY CLOTH. IF A DETERGENT OR LIQUID IS USED, THE LATTER COULD PENETRATE INSIDE THE CRACKLES, HIGHLIGHTING THEM.
- ◆ SINCE THE PRODUCT CAN TURN ON AUTOMATICALLY THANKS TO THE TIMER, OR REMOTELY USING THE DEDICATED APPLICATIONS, IT IS STRICTLY FORBIDDEN TO LEAVE ANY COMBUSTIBLE OBJECT WITHIN THE SAFETY DISTANCES INDICATED ON THE TECHNICAL DATA PLATE.
- ◆ INTERNAL COMBUSTION CHAMBER PARTS CAN BE SUBJECT TO EXTETICAL WARN, IT DOESN'T AFFECT THE FUNCTIONALITY

**ROUTINE MAINTENANCE**

Based on Decree 22 January 2008 n°37 art.2, routine maintenance means interventions aimed at reducing degradation due to normal use, as well as dealing with accidental events entailing the need of first interventions, which however do not modify the structure of the system upon which one is intervening or its intended use according to the requirements laid down by the technical standards in force and by the manufacturer's use and maintenance manual.

## INSTALLATION

### GENERAL

The flue gas exhaust and hydraulic connections must be carried out by qualified personnel who must issue installation conformity documentation compliant with national standards.

**The installer must provide the owner or person acting for him, according to the legislation in force, with the declaration of conformity, supplied with:**

- 1) the use and maintenance manual of the appliance and of the system components (such as for example, the smoke ducts, chimney, etc.);
- 2) photocopy or photograph of the chimney plaque;
- 3) system booklet (where applicable).

*The installer must ask to be issued with a receipt stating that the documentation has been provided, and must keep it with a copy of the technical documentation relating to the installation.*

For installation in a condominium, prior approval from the condominium's administrator must be requested.

Where required, check the exhaust gas emissions after installation. Should a sampling point be installed, it must be airtight.

### COMPATIBILITY

Do not install in rooms with a fire hazard. It is also forbidden to install it in living areas with the following characteristics:

1. where there are liquid fuel appliances with continuous or discontinuous operation that draw the combustion air into the room in which they are installed.
2. where there are type B gas appliances intended for heating, with or without domestic hot water production and in adjacent and communicating rooms.
3. where the depression measured in situ between the external and internal environment is greater than 4 Pa.

N.B.: Watertight appliances can also be installed in the cases indicated in points 1, 2 and 3 of this paragraph.

### INSTALLATIONS IN BATHROOMS, BEDROOMS AND STUDIO FLATS

Installation in bathrooms, bedrooms and studio flats is only allowed for sealed or closed hearth appliances with ducted combustion air taken from the outside.

### POSITIONING AND SAFETY DISTANCES

The support surfaces and/or points must have a suitable capacity to bear the overall weight of the appliance, accessories and coverings. If the floor is made of a combustible material, we recommend using a non-combustible material to protect the front part from any burnt material which might fall during routine cleaning operations. The generator must be level to function properly. The side walls, the rear walls and the floor support surface should be made of non-combustible material.

### MINIMUM DISTANCES

Installation next to flammable or heat-sensitive materials is permitted **only if the special safety distances specified on the label at the beginning of the manual (pag.2) are observed**. If the materials are not flammable, you must keep a side and rear distance of at least 100 mm (without the inserts). For products equipped with rear spacers, wall-mounting installation is permitted exclusively for the rear side.

### PREPARATIONS FOR MAINTENANCE

To carry out extraordinary maintenance operations on the product, it may be necessary to move it away from the adjacent walls. This must be done by a technician authorised to disconnect the combustion product evacuation ducts and then reconnect them. For heaters connected to the hydraulic system, the connection between the system itself and the product must be made in such a way that, when an authorised technician is about to carry out extraordinary maintenance operations, it is possible to move the heater at least 1 metre away from the adjacent walls.

### INSTALLING INSERTS

When installing inserts, access must be prevented to the internal parts of the appliance and it must not be possible to access live parts during extraction operations.

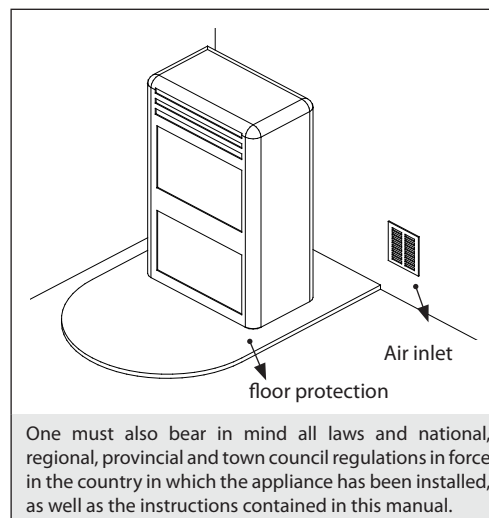
Any wiring, for example the power cable or room probe, must be positioned so as not to be damaged during movement of the insert and must not come into contact with hot parts. If a cavity made of combustible material is installed, we recommend taking all the safety precautions indicated by the installation standards.

### VENTILATION AND AERATION OF INSTALLATION ROOMS

In case of non-airtight heater and/or installation, the ventilation must respect the minimum area indicated below (considering the highest value among those provided):

Appliance categories	Reference standard	Percentage of the net opening section with respect to the appliance fumes outlet section	Minimum net opening value of the ventilation duct
Pellet stoves	UNI EN 14785	-	80 cm <sup>2</sup>
Boilers	UNI EN 303-5	50%	100 cm <sup>2</sup>

**Under any condition, including in the presence of extractor hoods and/or of controlled forced ventilation systems, the pressure difference between the generator installation rooms and the outside must always be equal to or less than 4 Pa.**



In the presence of type B gas appliances with intermittent operation not intended for heating, they must have their own aeration and/or ventilation opening.

The air inlets must meet the following requirements:

- ♦ they must be protected with grids, metal mesh, etc., but without reducing the net useful section;
- ♦ they must be made so as to make the maintenance operations possible;
- ♦ positioned so that they cannot be obstructed;

The clean and non-contaminated air flow can also be obtained from a room adjacent to that of installation (indirect aeration and ventilation), as long as the flow takes place freely through permanent openings communicating with the outside.

The adjacent room cannot be used as a garage, or to store combustible material or for any other activity with a fire hazard, bathroom, bedroom or common room of the building.

## FLUE GAS EXHAUST

The heat generator works in depression and is equipped with an outlet fan for flue gas extraction. There must be a single exhaust system for the generator. Using a flue that is shared with other devices is not allowed.

The components of the flue gas exhaust system must be chosen in relation to the type of appliance to be installed in compliance with:

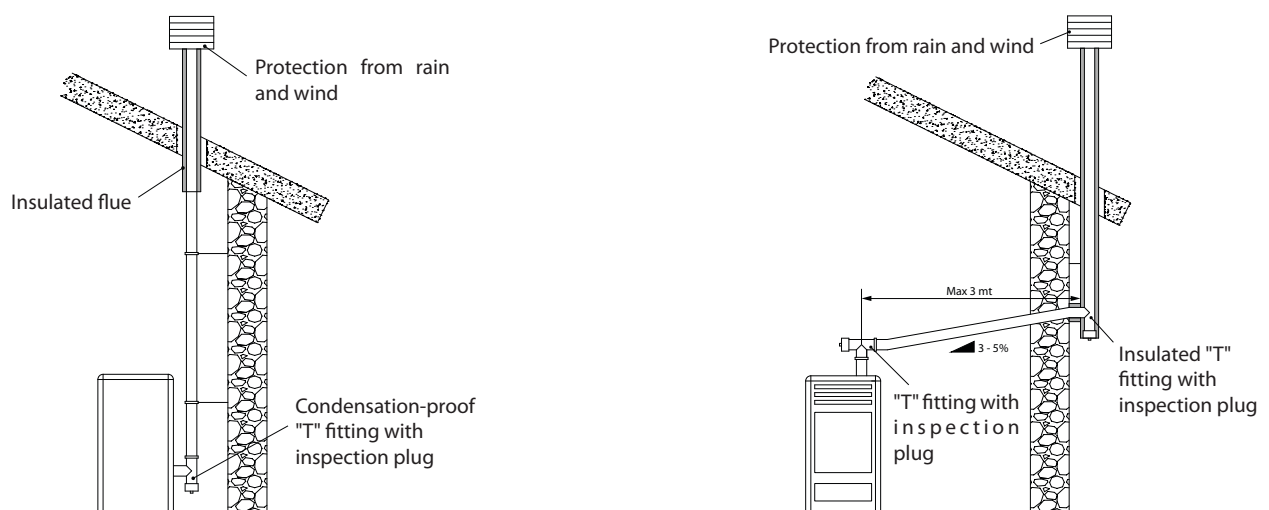
- ♦ UNI/TS 11278 in the event of metal chimneys, with particular attention to that stated in the specification;
- ♦ UNI EN 13063-1 and UNI EN 13063-2, UNI EN 1457, UNI EN 1806 in the event of non-metallic chimneys.
- ♦ The length of the horizontal section must be minimal and, in any case, no longer than 3 metres, with a minimum upward slope of 3%
- ♦ There must not be more than 4 direction changes including the one due to the use of the "T" element.
- ♦ A "T" fitting with a condensation collection cap must be provided at the base of the vertical section.
- ♦ If the exhaust is not inserted in an existing flue, a vertical section with a windproof end piece is required (UNI 10683).
- ♦ The vertical duct can be inside or outside the building. If the smoke duct is inserted in an existing flue, it must be certified for solid fuel.
- ♦ If the smoke duct is outside the building, it must always be insulated.
- ♦ The smoke ducts must have at least one airtight inlet for flue gas sampling.
- ♦ All the sections of the flue gas duct must be accessible to inspection.
- ♦ Inspection openings must be provided for cleaning.
- ♦ If the generator has a fume temperature lower than 160°C+ ambient temperature caused by the high yield (contact technicians) it MUST be resistant to humidity.
- ♦ A flue system that does not respect the previous points or, in general, that does not comply with the regulations, may cause condensation phenomena inside it.

## CHIMNEY CAP

The chimney caps must meet the following requirements:

- ♦ they must have a useful outlet section no less than double that of the chimney/ducted system on which it is installed;
- ♦ they must be adapted in order to prevent the penetration of rain and snow in the chimney/ducted system;
- ♦ they must be built so that, in the event of winds coming from all directions and from any angle, the expulsion of combustion products is in any case ensured;

## EXAMPLES OF CORRECT CONNECTION TO THE CHIMNEY



## CONNECTION TO THE MAINS ELECTRIC SUPPLY

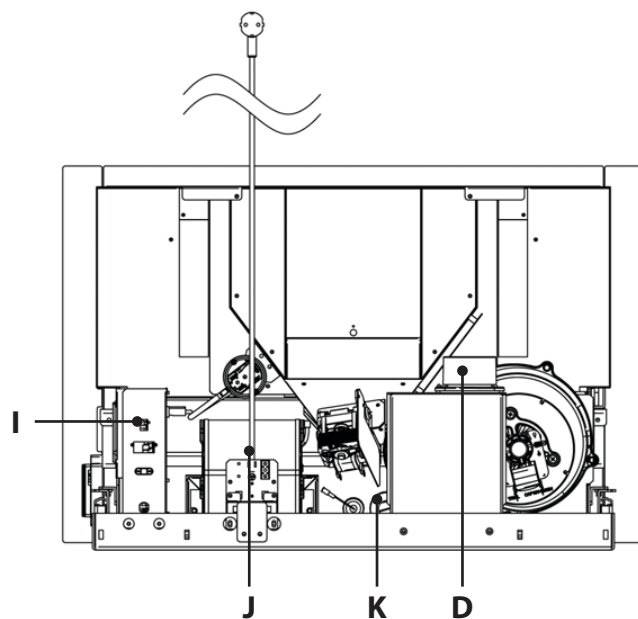
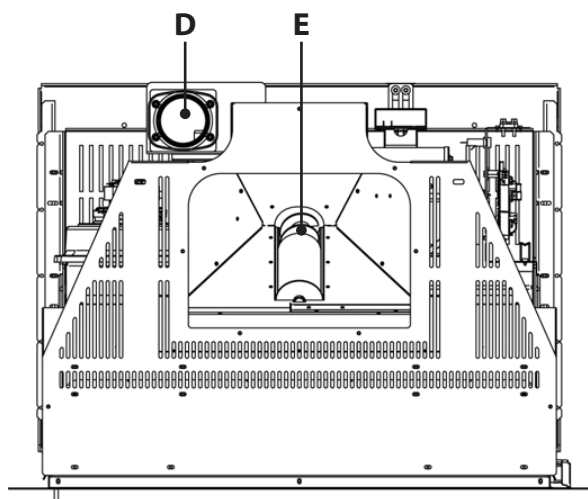
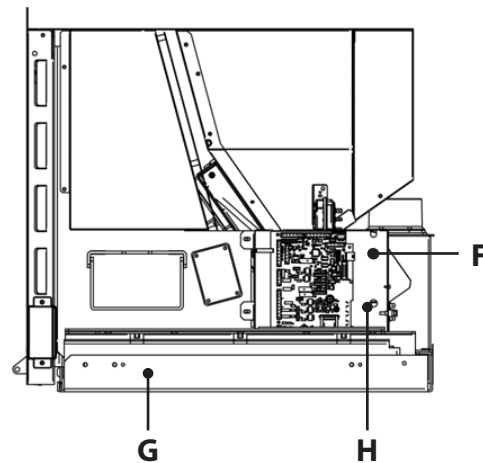
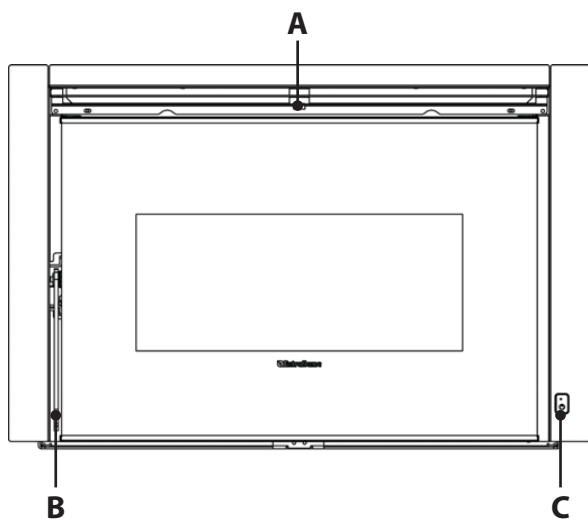
The generator is supplied with an electric power cable to be plugged into a 230V 50 Hz socket, possibly with a circuit breaker switch. The socket must be easily accessible.

The electrical system must be compliant with standards. The efficiency of the earthing circuit must be checked. Unsuitable earthing of the system can cause malfunctioning for which the manufacturer will not be held liable.

Power supply variations beyond 10% can cause faulty operation of the product.

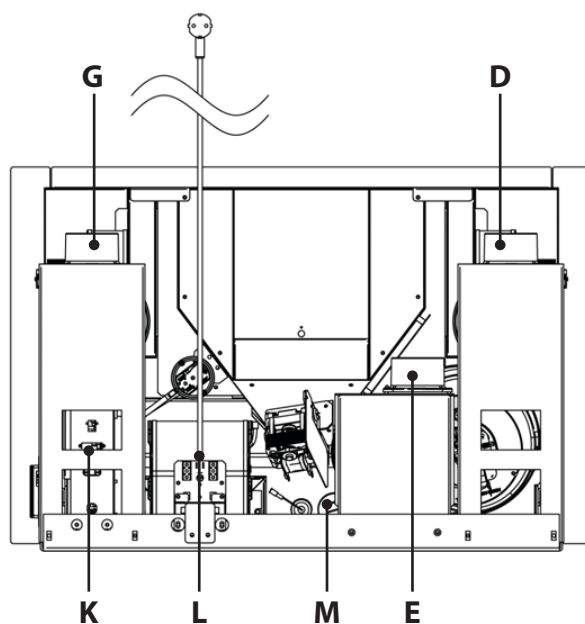
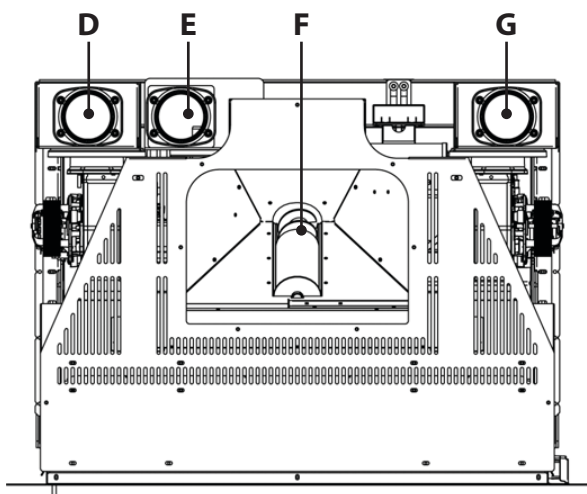
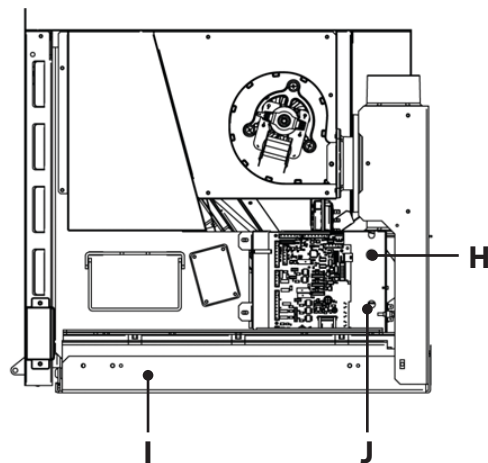
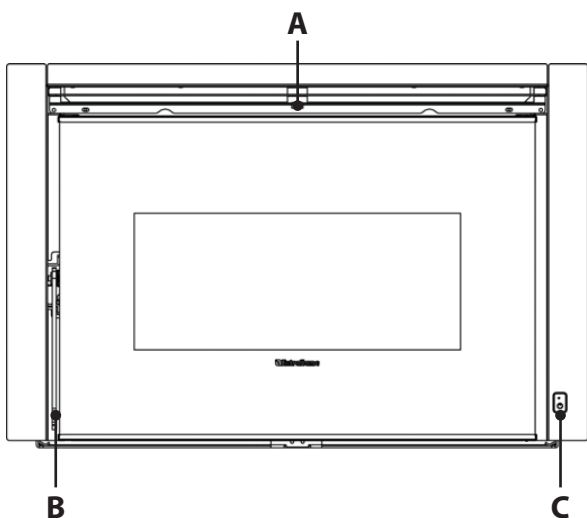


## DETAILS OF COMFORT P85 INSERT



<b>A</b>	Ambient air outlet	<b>E</b>	Pellet hopper	<b>I</b>	TA inlet
<b>B</b>	Access to combustion chamber and ash drawer	<b>F</b>	Fuse	<b>J</b>	230V power supply
<b>C</b>	Emergency module	<b>G</b>	Rail	<b>K</b>	Combustion air inlet
<b>D</b>	Fumes outlet	<b>H</b>	Bulb thermostat rearm		

## DETAILS OF COMFORT P85 PLUS INSERT

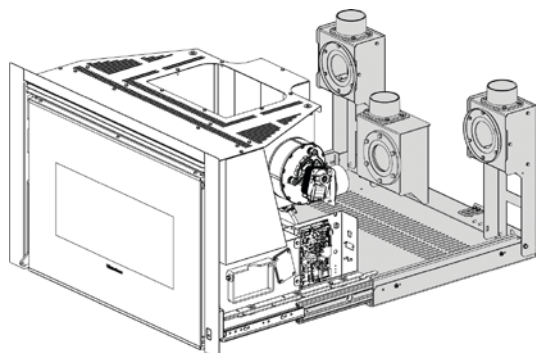


<b>A</b>	Ambient air outlet	<b>F</b>	Pellet hopper	<b>K</b>	TA inlet Thermostat connection inlet
<b>B</b>	Access to combustion chamber and ash drawer	<b>G</b>	Air ducting Z2 outlet	<b>L</b>	230V power supply
<b>C</b>	Emergency module	<b>H</b>	Fuse	<b>M</b>	Combustion air inlet
<b>D</b>	Air ducting Z1 outlet	<b>I</b>	Rail		
<b>E</b>	Fumes outlet	<b>J</b>	Bulb thermostat rearm		

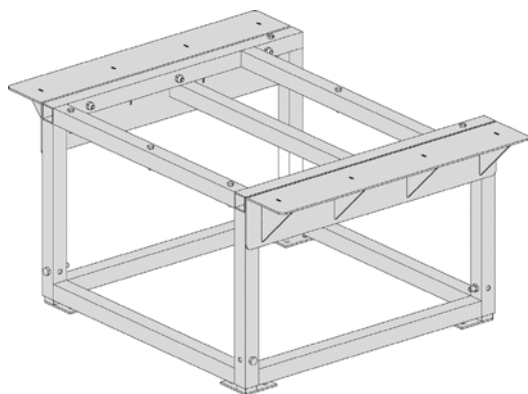
## INSTALLATION OF COMFORT P85 - P85 PLUS INSERT

**ASSEMBLY MUST BE CARRIED OUT BY QUALIFIED PERSONNEL!**

### GENERAL



The insert is supplied with a sliding base in iron that allows it to be installed in a pre-existing chimney.  
This sliding base allows the insert to be removed easily to load the pellets inside the hopper and for any maintenance or cleaning at the end of the season.

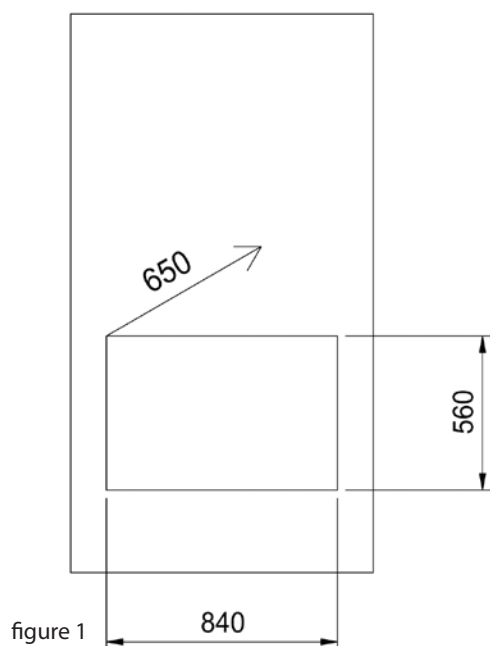


If there is no pre-existing chimney, one can be built using an insert-holder pedestal (optional kit). In fact, the latter fixes the insert to the ground.

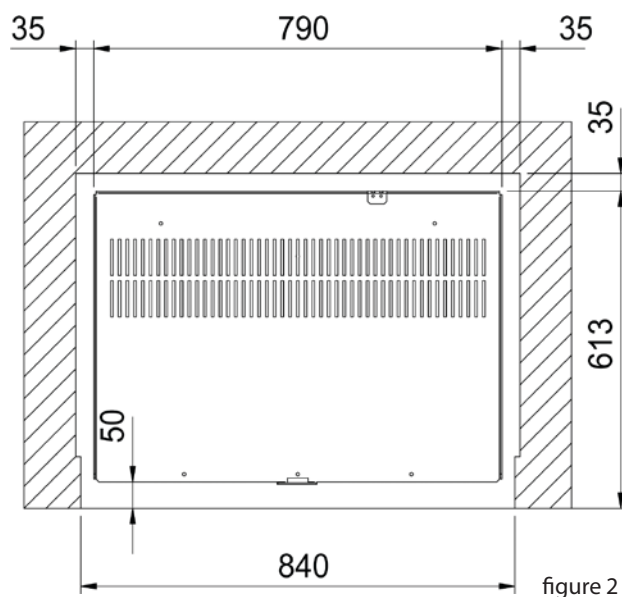
**ASSEMBLY:** place the base in the chosen point and adjust the feet to the desired height. Install a socket on the rear of the pedestal in a way that the plug is accessible once installation has been performed. Fix the pedestal to the floor using heavy-duty steel plugs with diameter of 8mm. Take the sliding base and fix it to the pedestal.

*Please note: If our pedestal is used, a slot must be created in the flue pipe to allow the pellet hopper level to be checked, thus avoiding spillage when it is being topped up.*

### MINIMUM CLEARANCE



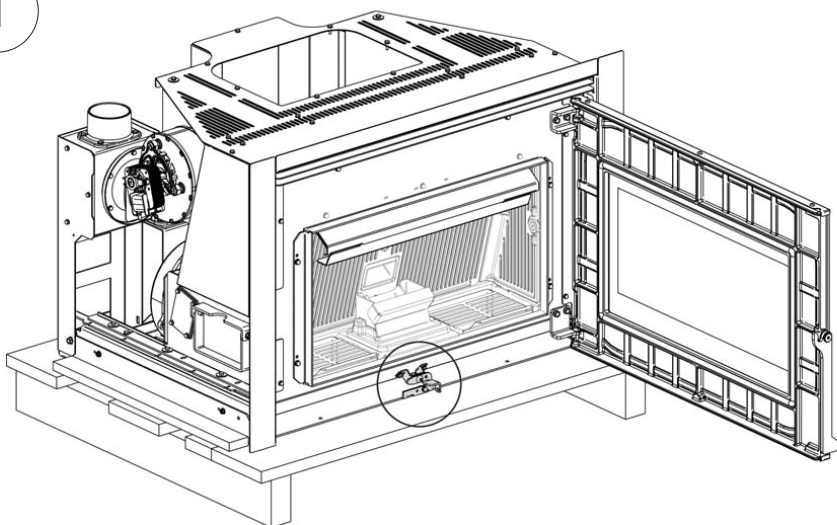
With front loading kit H= 635mm



For the insert to operate correctly, a **minimum** side and rear space must be guaranteed, as shown in figure 2; the coatings must be made of **non-flammable** material.

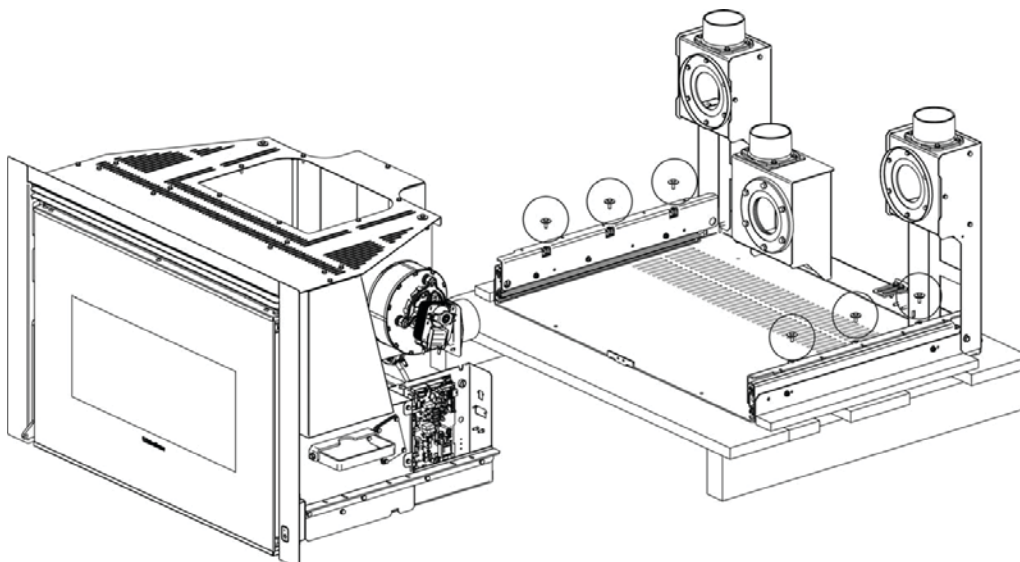
## INSTALLATION

1



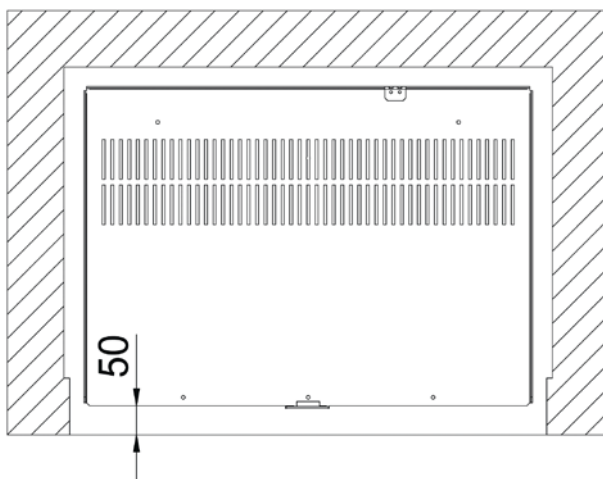
Open the door and release the latch using the poker supplied.

2



Remove the 6 screws and remove the flue pipe from the base.

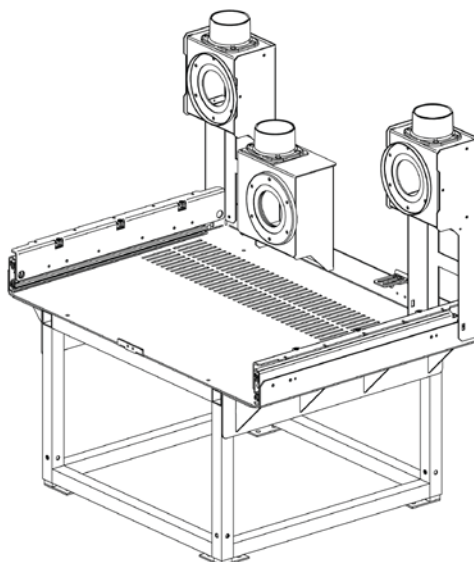
3a



Fix the base to the existing flue pipe.

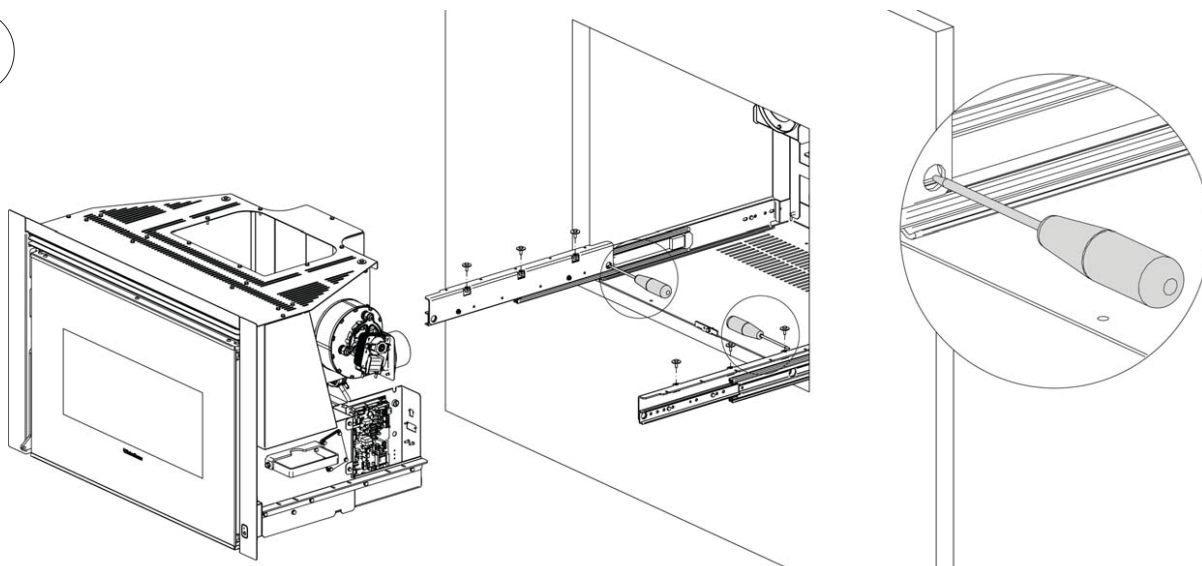
**ATTENTION! RESPECT THE 50MM HEIGHT FOR OPENING AND CLOSING THE INSERT CORRECTLY!**

3b



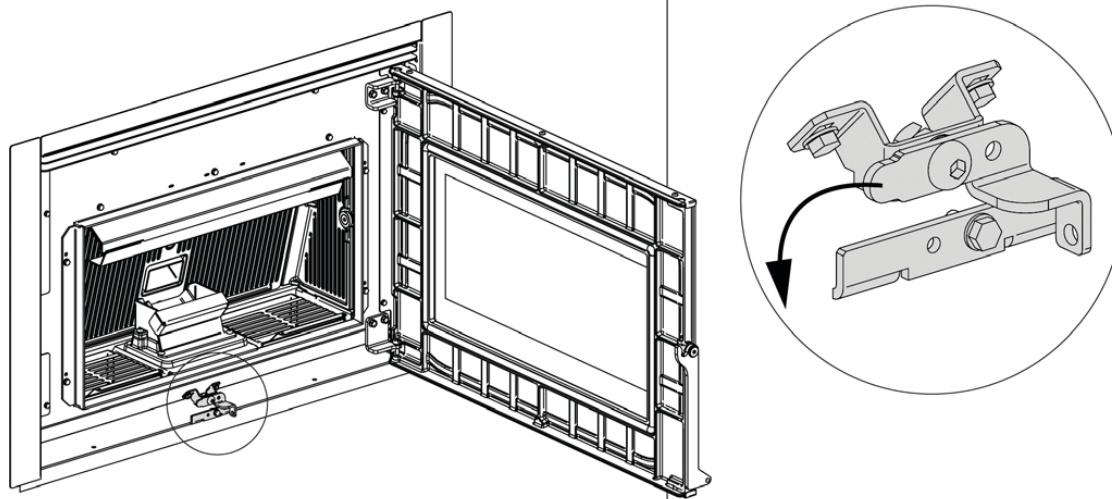
Fix the base to the kit if it is a new installation (optional kit).

4



Block the rails with two screwdrivers and secure the flue pipe to the base with 6 screws.

5



Close the insert and block the latch.

## FRESH AIR DUCTS

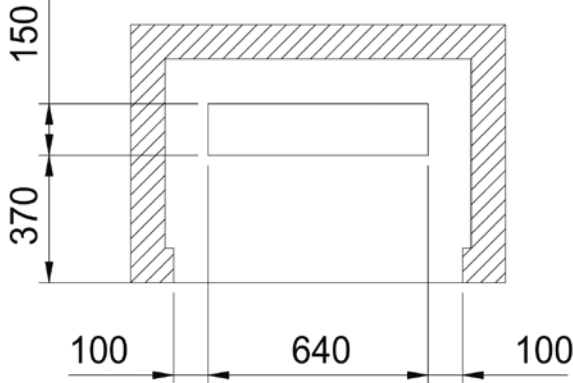
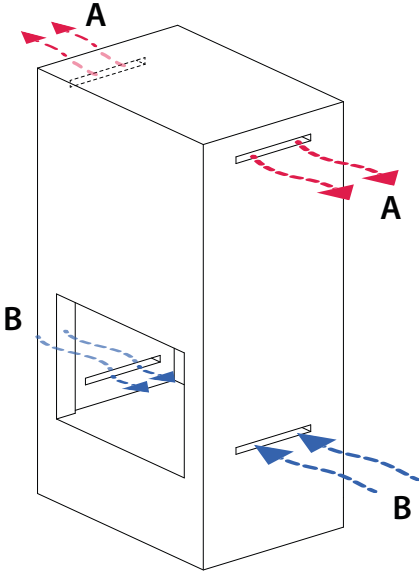
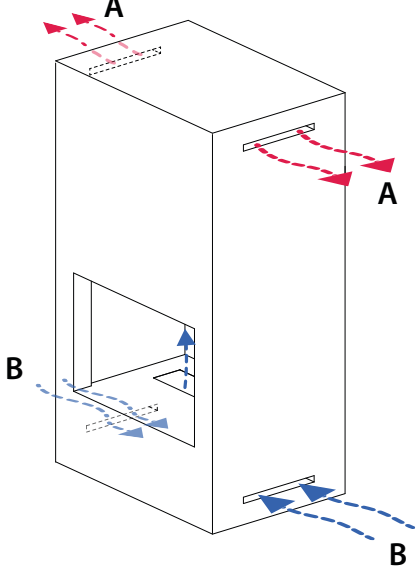
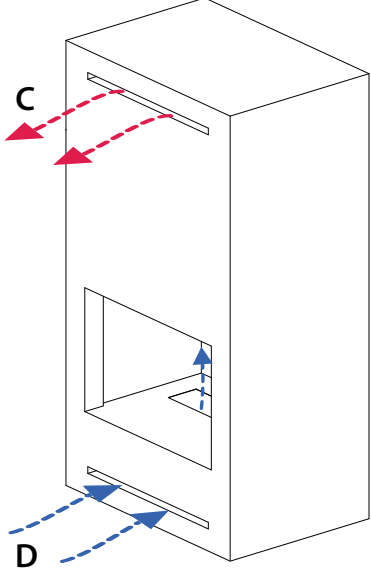
For correct operation, air must be allowed to recirculate inside the structure that covers the insert in order to prevent the appliance from overheating.

To guarantee this, just realise one or more openings in the lower and upper part of the covering.

The following measurements must be respected:

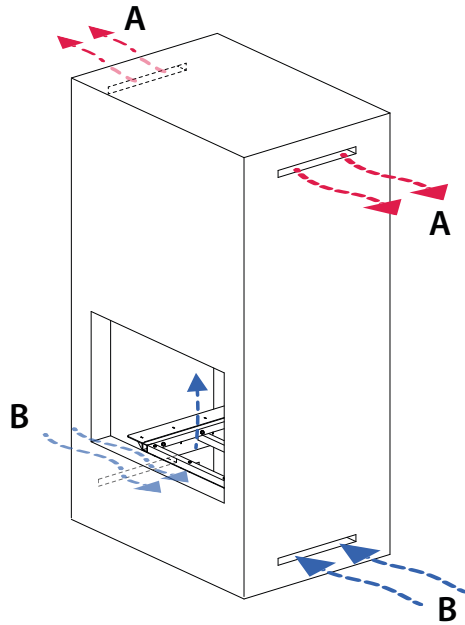
- ♦ LOWER PART (COLD AIR INLET) WITH TOTAL MINIMUM SURFACE 240 CM<sup>2</sup>.
- ♦ UPPER PART (HOT AIR OUTLET) WITH TOTAL MINIMUM SURFACE 240 CM<sup>2</sup>.

The possible set-ups which must be respected are indicated below.

EXISTING INSTALLATION		
		
<p><b>FOR INSTALLATION ON AN EXISTING FLUE PIPE (EXAMPLES 2 AND 3), A HOLE MUST BE MADE ON THE SUPPORT BASE TO GUARANTEE THE CORRECT AIR FLOW.</b></p>		
EXAMPLE 1	EXAMPLE 2	EXAMPLE 3
		
<p><b>A:</b> Air convection outlet. Minimum section 120cm<sup>2</sup>.  <b>B:</b> air inlet from room. Minimum section 120cm<sup>2</sup>.</p>		<p><b>C:</b> Air convection outlet. Minimum section 240cm<sup>2</sup>.  <b>D:</b> air inlet from room. Minimum section 240cm<sup>2</sup>.</p>

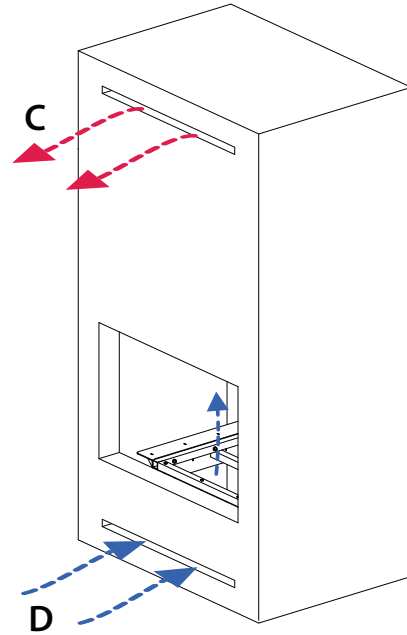
## NEW INSTALLATION

EXAMPLE 1

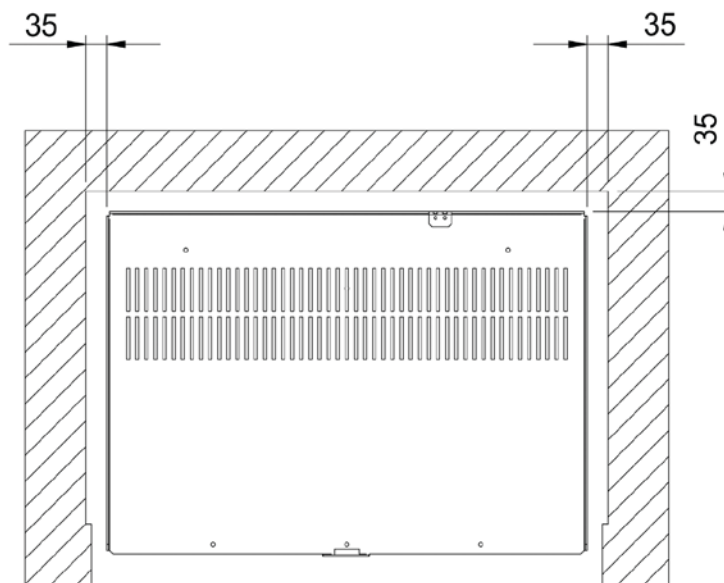


**A:** Air convection outlet. Minimum section 120cm<sup>2</sup>.  
**B:** air inlet from room. Minimum section 120cm<sup>2</sup>.

EXAMPLE 2



**C:** Air convection outlet. Minimum section 240cm<sup>2</sup>.  
**D:** air inlet from room. Minimum section 240cm<sup>2</sup>.



For the insert to operate correctly, a **minimum** side and rear space of 35 mm must be guaranteed; the coatings must be made of **non-flammable** material.

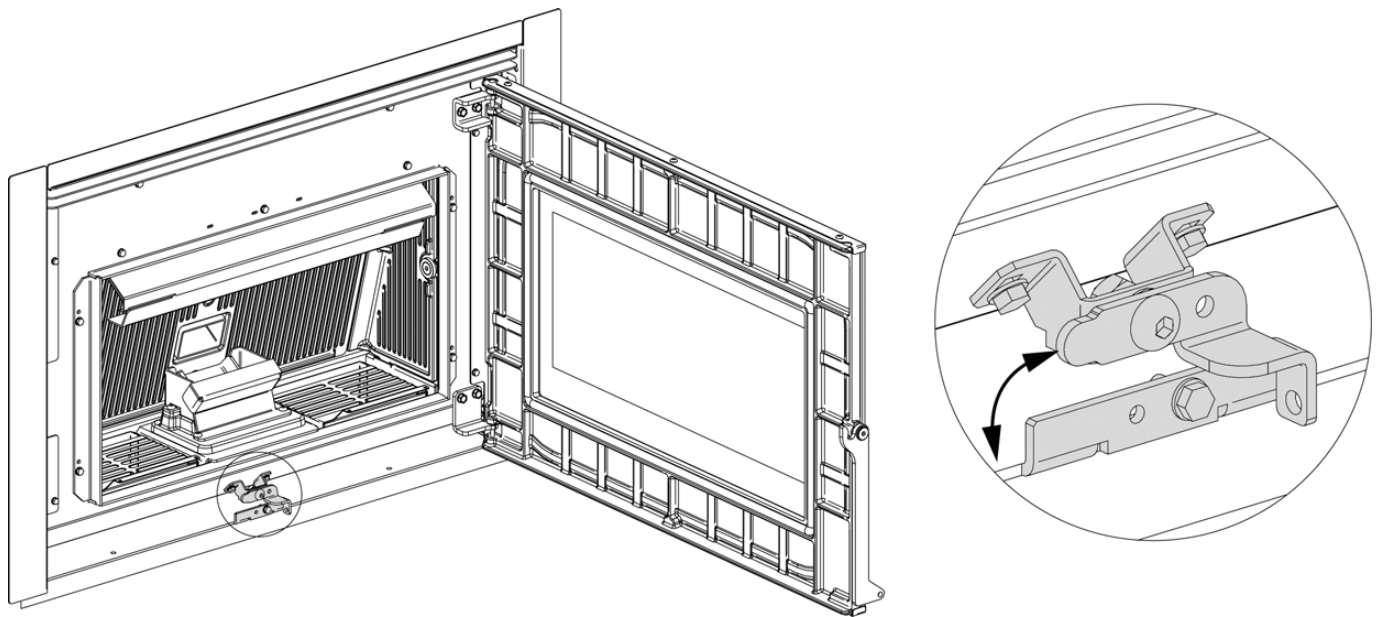


**IMPORTANT: ALL THE OPENINGS CREATED FOR THE CORRECT AIR CIRCULATION MUST PREVENT THE ENTRY OF HAZARDOUS PARTS BY USING SPECIFIC GRILLES, BUT STILL GUARANTEEING THE MINIMUM AIR FLOW REQUIRED. THE PIPE FOR FUMES OUTLET MUST ALWAYS MAINTAIN A MINIMUM DISTANCE OF 50 MM FROM INFLAMMABLE PARTS.**

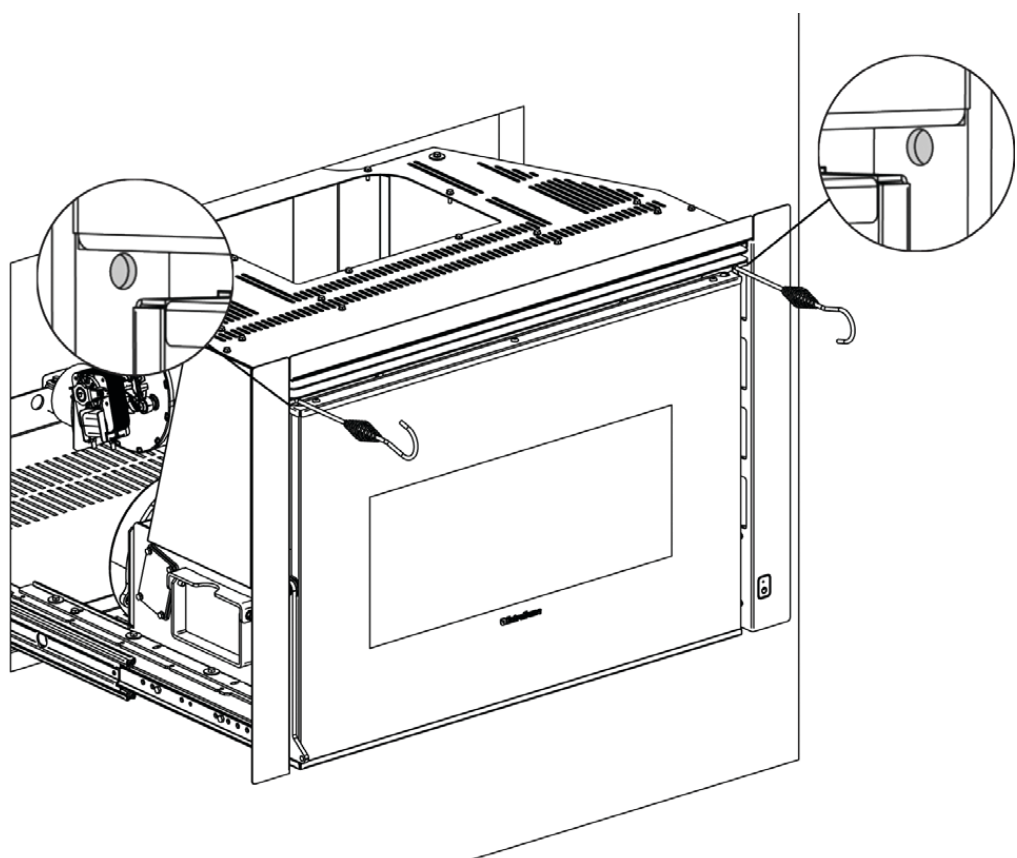


**TO SAFEGUARD FROM ANY OVERHEATING, THE INSERT IS SUPPLIED WITH A PROBE THAT ANALYSES THE TEMPERATURE INSIDE THE STRUCTURE AND INTERVENES BY REDUCING THE FUNCTIONING POWER.**

## SAFETY LATCH



Use the poker supplied to perform the release/block operation.  
(Turn clockwise to release and anti-clockwise to block).



Holes present on two sides for the extraction of the insert via pokers.  
Extraction of the insert allows both the pellets to be loaded inside the hopper and routine maintenance (cleaning the ash pipe at year end) or unscheduled maintenance (replacement of mechanical parts if the product should break) to be performed.



## EXTRACTION OF INSERT AND PELLET LOADING

Extraction of the insert allows both the pellets to be loaded inside the hopper and routine maintenance (cleaning the ash pipe at year end) or unscheduled maintenance (replacement of mechanical parts if the product should break) to be performed.

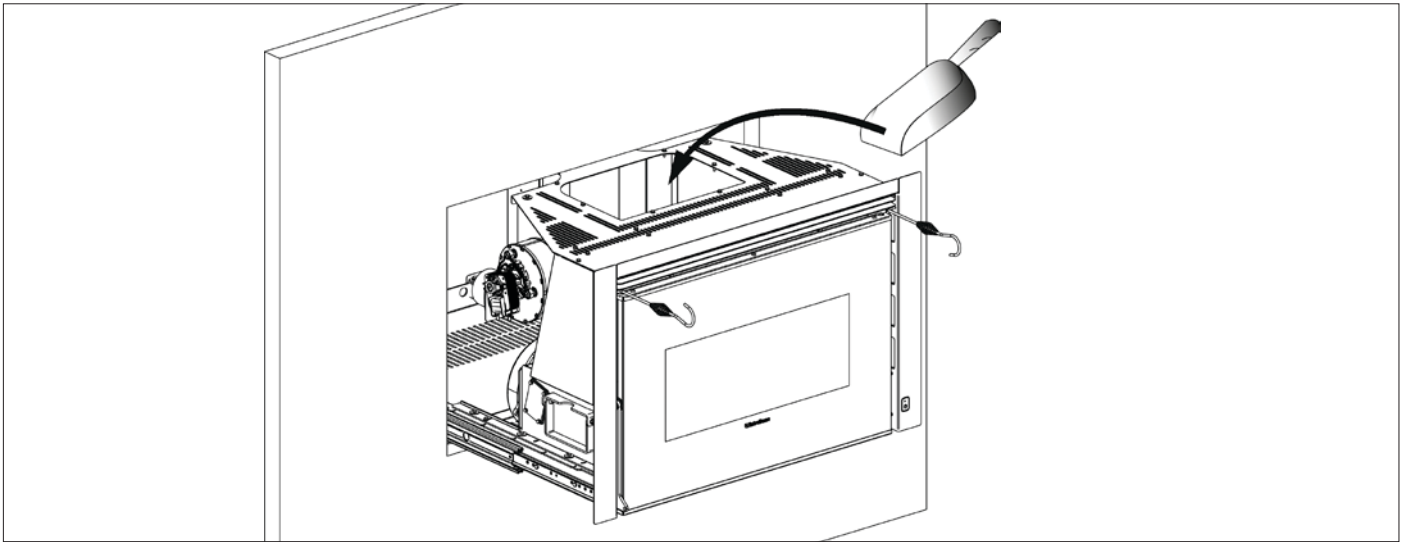
To extract the insert, follow the procedure below:

Open the fire door and turn the latch clockwise (using the poker supplied).

Turn the stove towards you using the pokers supplied until it blocks automatically.



**THE INSERT MUST ONLY BE PULLED OUT WHEN THE STOVE IS SWITCHED OFF AND COMPLETELY COLD!  
THE SURFACES MAY BE VERY HOT! ALWAYS USE SAFETY GLOVES!**



## PELLETS AND FEEDING

Pellets are made by subjecting wood shavings i.e. the rejects of pure wood (without paint) sawmill, carpenter products and products from other activities connected to working and transforming wood, to very high pressures.

This type of fuel is fully ecological as no glues are used to hold it together. Indeed, the pellets remain compact over time due to a natural substance found in wood: lignin.

As well as being an ecological fuel, as wood residues are made the most of, the pellet also has technical advantages.

While wood has a calorific value of 4.4 kWh/kg. (with 15% humidity, thus after 18 months of seasoning), the calorific value of the pellet is 5 kWh/kg.

Pellet density is about 650 kg/m<sup>3</sup> and water content is equal to 8% of its weight. For this reason, the pellets do not need to be seasoned in order to obtain a sufficiently adequate heat yield.

The pellet used must comply with the features described by Standards:

**EN PLUS class A1, ISO 17225-2 class A1**

and

**UNI EN 303-5** with the following characteristics: Water content  $\leq 12\%$ , ash content  $\leq 0.5\%$  and heating value less than  $>17$  MJ/kg (for boilers).

The manufacturer recommends using pellets with a diameter of 6 mm with its products.

### PELLET STORAGE

To guarantee combustion without problems, the pellets must be kept in a dry place.

Open the hopper lid and load the pellets using a scoop.



**DO NOT PLACE THE BAG DIRECTLY ON THE STOVE WHEN LOADING THE HOPPER!  
ALWAYS USE A SCOOP TO LOAD THE HOPPER.**

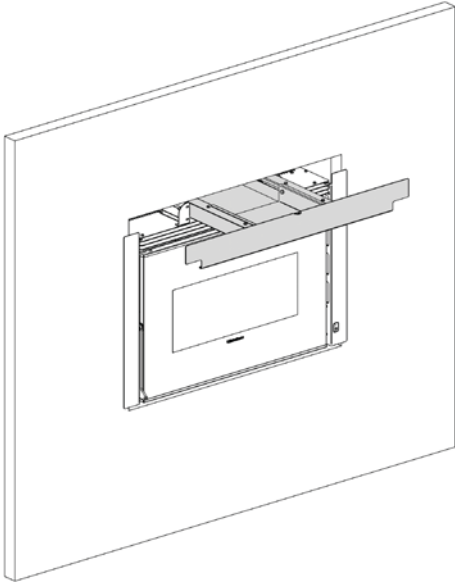


**THE USE OF POOR QUALITY PELLETS OR ANY OTHER MATERIAL DAMAGES THE FUNCTIONS OF YOUR STOVE AND CAN VOID THE WARRANTY AND THE RELEVANT RESPONSIBILITY OF THE MANUFACTURER.  
TO GUARANTEE COMBUSTION WITHOUT PROBLEMS, THE PELLETS MUST BE KEPT IN A DRY PLACE.**

## OPTIONAL LOADING ACCESSORIES

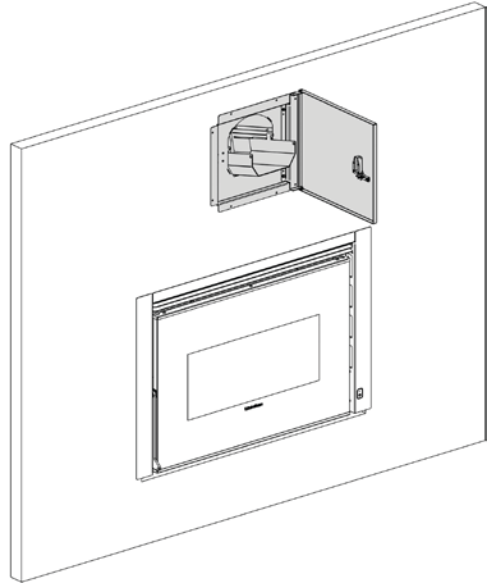
### FRONT PELLET LOADING KIT

The optional pellet loading kit allows to load the pellets into the hopper from the front without having to remove the insert (which would require the machine to be switched off).



### UPPER/SIDE PELLET LOADING KIT

The optional pellet loading kit allows to load the pellets into the hopper without removing the insert from the installation opening (which would require the machine to be switched off). The kit can be assembled at a later time too.



**DO NOT LOAD A GREATER NUMBER OF PELLETS THAN THE CAPACITY OF THE HOPPER AND DO NOT DROP PELLETS INSIDE THE PRODUCT.**

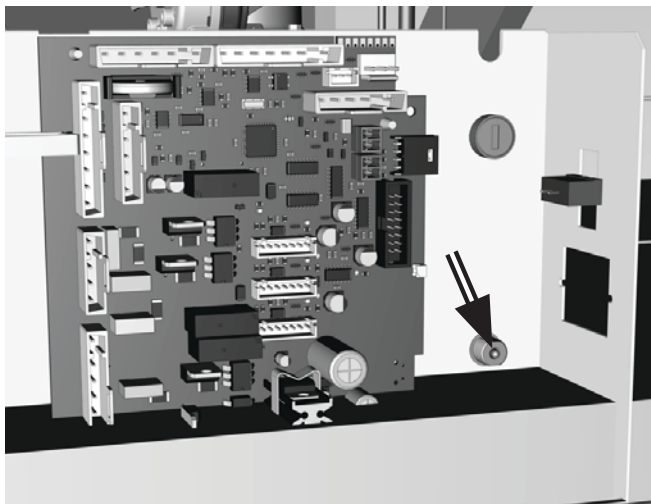


**IN CASE OF INSTALLATION WITH LOADING KIT (OPTIONAL) THE MACHINE MUST NOT BE REMOVED.**

Further information on accessories is available on the website under the category "accessories".

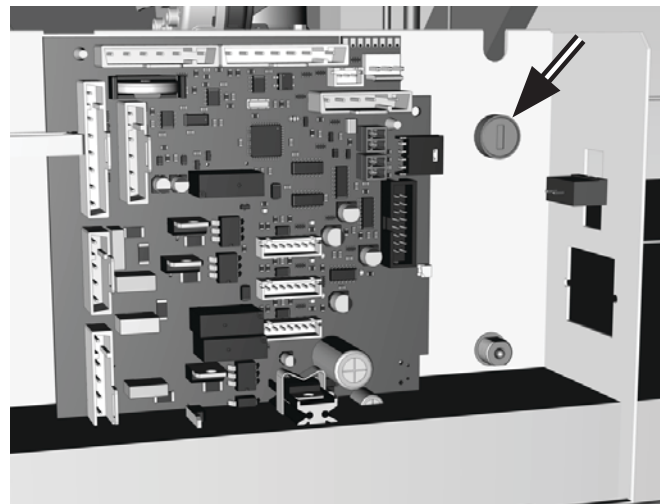
### BULB THERMOSTAT REARM

The figure below shows the hopper rearm position. It is recommended to contact the qualified technician if one of the rearms should be triggered, so as to verify the cause.



### FUSE

If the stove has no power supply, check the status of the fuse, positioned laterally (right) with respect to the machine, located on the circuit board support.



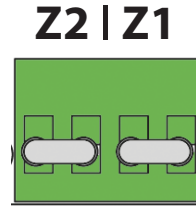
## AIR DUCTING FEATURES INSERT P85 PLUS

The model is fitted with two independent air ducting outlets. The pipe used for ducting the hot air must have an internal diameter of 80 mm and it must also be insulated or at least be protected against heat dispersion.

Air ducting 1 - 2 are enabled by factory default.

Features:

- ♦ diameter of air ducting outlet: 2x80 mm
- ♦ maximum recommended air ducting length 8 m
- ♦ temperature controlled air ducting
- ♦ Speed regulation can be set in 2 modes: **AUTO, COMFORT**



### FACTORY DEFAULT OPERATION IN AIR DUCTING MODE

Air ducting 1 and 2 are always in request by factory default (jumpers on Z1 and Z2 present), and follow the stove settings.

- No settings necessary.

### OPERATION IN AIR DUCTING WITH THERMOSTAT OR PROBE (OPTIONAL)

The stove is fitted with two independent motors for air ducting. The connection of an external thermostat or temperature probe (NTC 10K) in inputs 1 and 2, located in the rear part of the stove, makes it possible to control the air ducting motor independently of the stove.

Suffice it to connect the thermostat/temperature probe and set the desired temperature.

For information on air ducting settings see chapter: "MENU - AIR DUCTING"

### WITH AMBIENT THERMOSTAT (OPTIONAL)

Remove the jumper on 1 and connect the ambient thermostat in the room that needs to be temperature-controlled through air ducting 1.

#### 2 control modes:

OPERATION IN AIR DUCTING WITH AMBIENT THERMOSTAT (OPTIONAL)	
<p><b>SET</b> configured to <b>AUTO</b> (the temperature setting is not visible)</p>	<p>Once the specific activation threshold has been reached and exceeded, at temperature to be satisfied (CLOSED CONTACT) the air ducting motor will follow the stove settings. When the temperature set on the thermostat is reached (OPEN CONTACT), the air ducting motor will switch to minimum and then follow the stove settings again when there is a new request.</p>
<p><b>SET</b> configured to <b>COMFORT</b> (the temperature setting is not visible)</p>	<p>Once the specific activation threshold has been reached and exceeded, at temperature to be satisfied (CLOSED CONTACT) the air ducting motor will follow the stove settings but at a lower speed than in SET AUTO for increased acoustic/ambient comfort. When the temperature set on the thermostat is reached (OPEN CONTACT), the air ducting motor will switch to minimum and then follow the stove settings again, but at a lower speed when there is a new request.</p>
<p><b>SAME OPERATING SETTINGS FOR AIR DUCTING 2 MOTOR</b></p>	

## WITH PROBE (NTC 10K)

Remove the jumper on 1 and connect the NTC probe in the room that needs to be temperature-controlled through air ducting 1.

### 2 control modes:

OPERATION IN AIR DUCTING WITH NTC PROBE 10KΩ (OPTIONAL)	
<p><b>SET</b> configured to <b>AUTO</b> Set the desired temperature ( from 7 to 37 °C)</p>	<p>Once the specific activation threshold has been reached and exceeded, at temperature to be satisfied the air ducting motor will follow the stove settings. When the temperature set on the set TEMPERATURE is reached, the air ducting motor will switch to minimum and then follow the stove settings again when there is a new request.</p>
<p><b>SET</b> configured to <b>COMFORT</b> Set the desired temperature ( from 7 to 37 °C)</p>	<p>Once the specific activation threshold has been reached and exceeded, at temperature to be satisfied the air ducting motor will follow the stove settings but at a lower speed than in SET AUTO for increased acoustic/ambient comfort. When the temperature set on the set TEMPERATURE is reached, the air ducting motor will switch to minimum and then follow the stove settings again, but at a lower speed when there is a new request.</p>
<p><i>SAME OPERATING SETTINGS FOR AIR DUCTING 2 MOTOR</i></p>	

## TA ADDITIONAL THERMOSTAT (OPTIONAL)

The appliance is able to control the room temperature through an additional thermostat (optional).

After ignition (by pressing key 1 or in chrono mode), the stove will work to reach the set value on the thermostat, displaying **WORK** (closed contact) on the screen. The room sensor incorporated into the handheld device is automatically ignored.

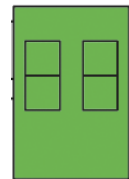
### TO INSTALL AND ACTIVATE:

- A mechanical or digital thermostat is required.
- Remove the plug from the socket.
- Using the image to the side as a guide, connect the two thermostat wires (clean contact - no 230 V!) to the respective terminals at the back of the machine, one red and the other black.
- Connect the power to the stove again.
- Press the key (✓), until the set temperature is set to **LOW-TA**.

The stove is now correctly configured.

It will work by checking the external additional thermostat based on the TA function.

### TA



**INSTALLATION MUST BE PERFORMED BY QUALIFIED STAFF AND/OR THE MANUFACTURER'S SERVICE TECHNICIANS**

---

---

---

---

---

---

---

---

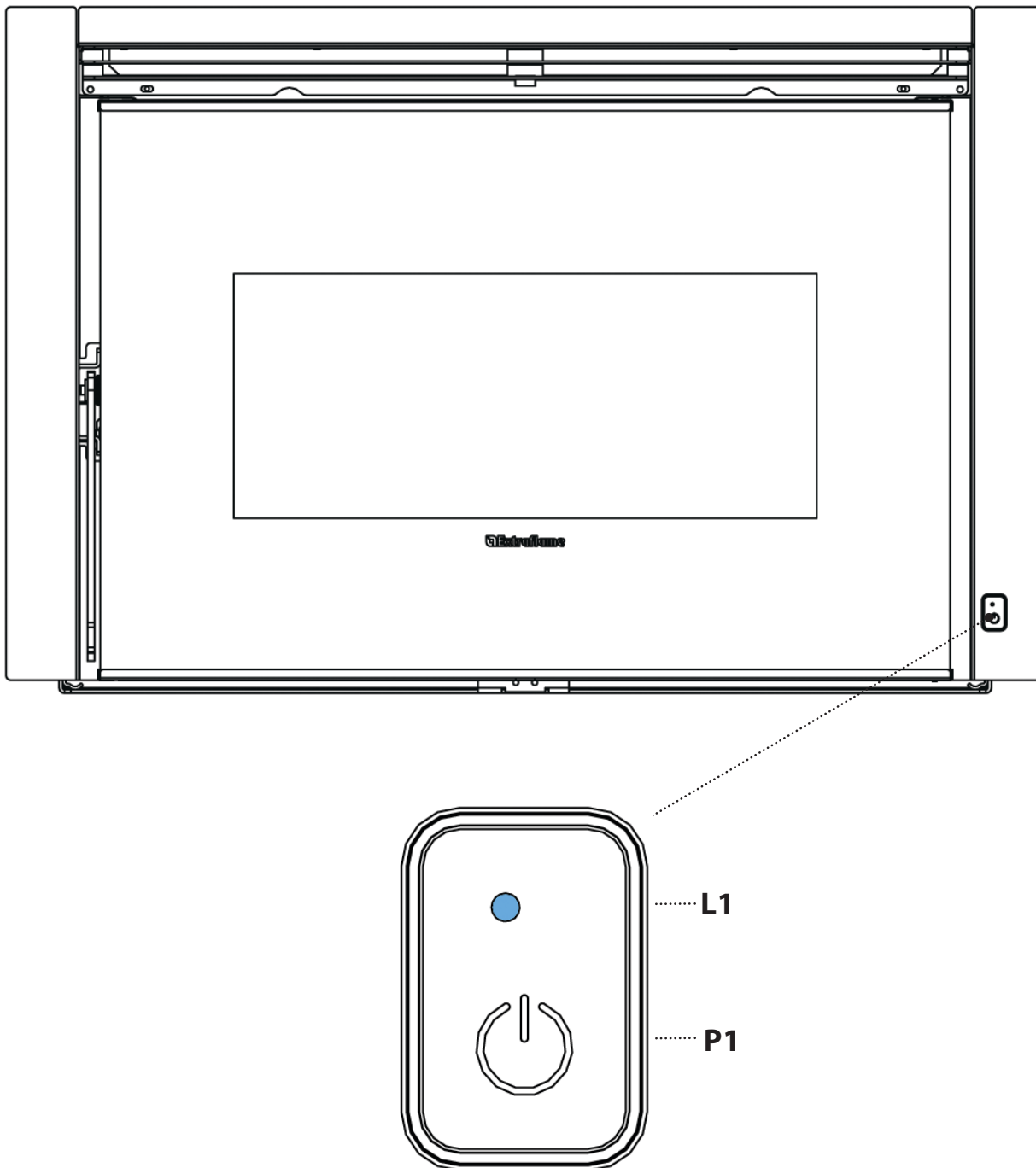
---

---

## EMERGENCY MODULE

The stove is fitted with an emergency module located at the side, allowing the basic operation of the stove in the event the handheld remote is damaged or malfunctions.





The functions that can be managed from the emergency module are:



Key P1	Stove ignition/switch-off
L1: Blue LED off:	The stove is off.
L1: Blue LED on:	The stove is operating
L1: Blue LED flashing:	The stove is in ALARM state

## RADIO CONTROL CONFIGURATION

RADIO CONTROL CODING PROCEDURE:

1. Disconnect the power supply to the stove.
2. Press the keys  and **OK** at the same time until the screen to choose *RADIO ID* appears.
3. Using keys  and  select the new *RADIO ID*.
4. Power the stove. Confirm the selected unit within 10 seconds (the LED will flash on the radio/emergency card) by pressing the OK key on the remote control.
5. The LED on the radio/emergency card will remain on for 5 seconds to confirm the new configuration.
6. If the configuration was unsuccessful, the display will read "". In this case, repeat the procedure.






**THE RADIO CONTROL IS ALREADY CONFIGURED WITH "RADIO ID" 0". IF THERE IS ANOTHER STOVE, TO AVOID INTERFERENCES, A NEW CONFIGURATION MUST BE PERFORMED, MODIFYING ONE OF THE TWO STOVES.**



**SOME RADIO FREQUENCY DEVICES (E.G. MOBILE PHONES, ETC.) MAY CAUSE INTERFERENCE WITH COMMUNICATION BETWEEN THE RADIO CONTROL AND THE STOVE.**

## RADIO CONTROL ROOM PROBE CALIBRATION

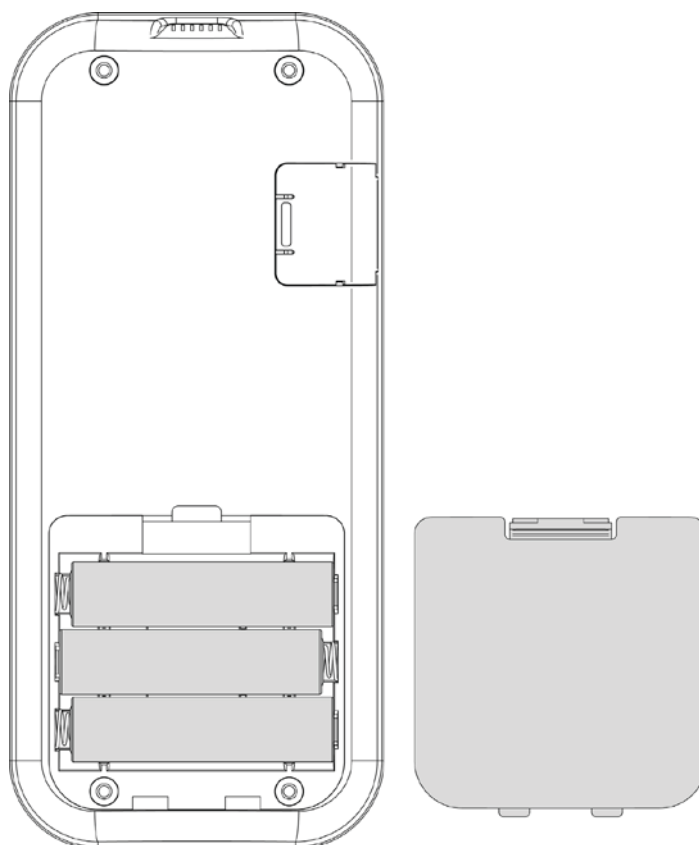
This mode allows calibration of the room temperature detected by the radio control (with ventilation active only). For correct calibration, it is recommended to position the radio control in a room with constant temperature and wait for at least two hours. The procedure for calibration is the following:

- ◆ Access the menu and reach "TECH MENU".
- ◆ Set the access key "F4". - "ADJ REMOTE PROBE"
- ◆ Using the keys  or  adjust the desired ambient calibration.
- ◆ Save and exit with the key  .

## BATTERY TYPE AND REPLACEMENT

To insert/replace the batteries, suffice it to remove the battery protection cover at the back of the radio control device (figure 1). Insert the batteries in accordance with the symbols imprinted on the radio control device and on the battery itself.

Three AAA batteries are required for the radio control to function.



(figure 1)



### Respect the environment!

Used batteries contain metals that are harmful to the environment, and therefore must be disposed of separately in special containers.

## RADIO CONTROL FEATURES

The radio control is fitted with an LCD backlit display. The display remains lit for 5 seconds. After a certain period of time, in order to minimise battery consumption, the display turns off (sleep mode). It turns on again after pressing the ON/OFF key (6).

### CAUTION!

Do not place the radio control device in direct or indirect contact with water. The radio control device may not work properly in the presence of humidity or if exposed to water.

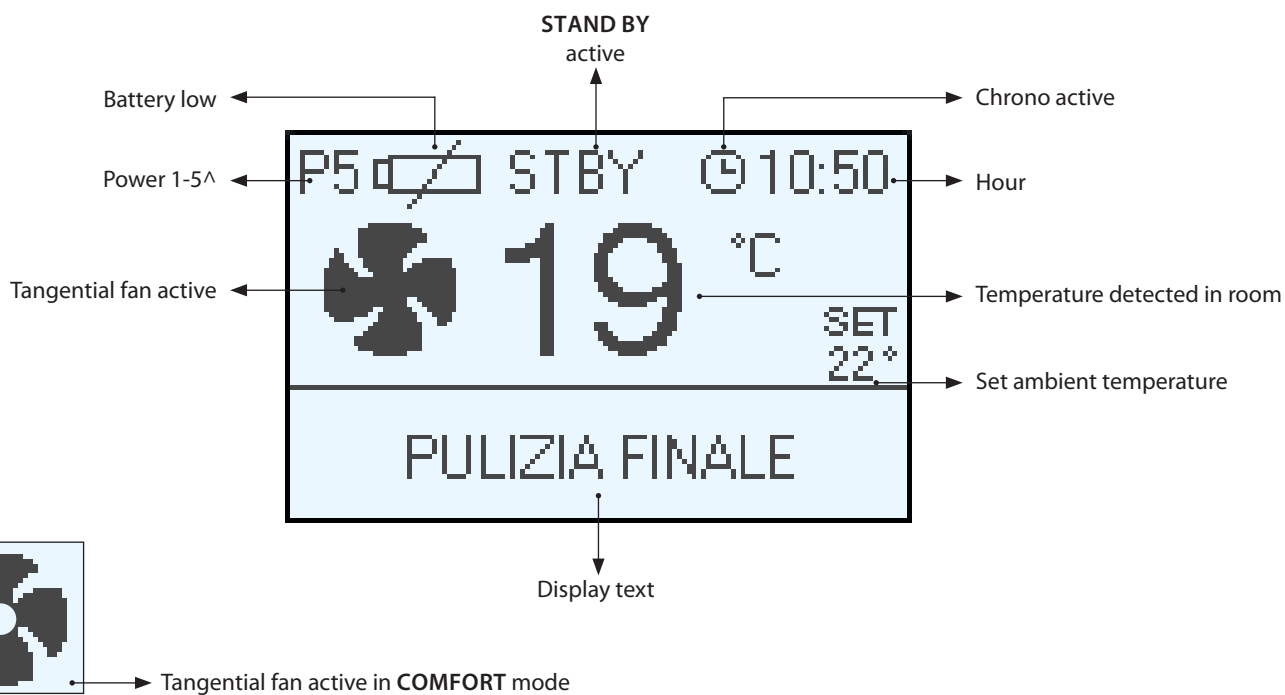


<b>1</b>	UPDATE
<b>2</b>	SET POWER/ scroll across in menus / increase - select a setting
<b>3</b>	SET THERMOSTAT room/ scroll across in menus / decrease - deselect a setting
<b>4</b>	Back key
<b>5</b>	Key to access MENU and CONFIRM
<b>6</b>	On/off stove or restore from sleep mode.
<b>7</b>	Serial cable input
<b>8</b>	Battery compartment

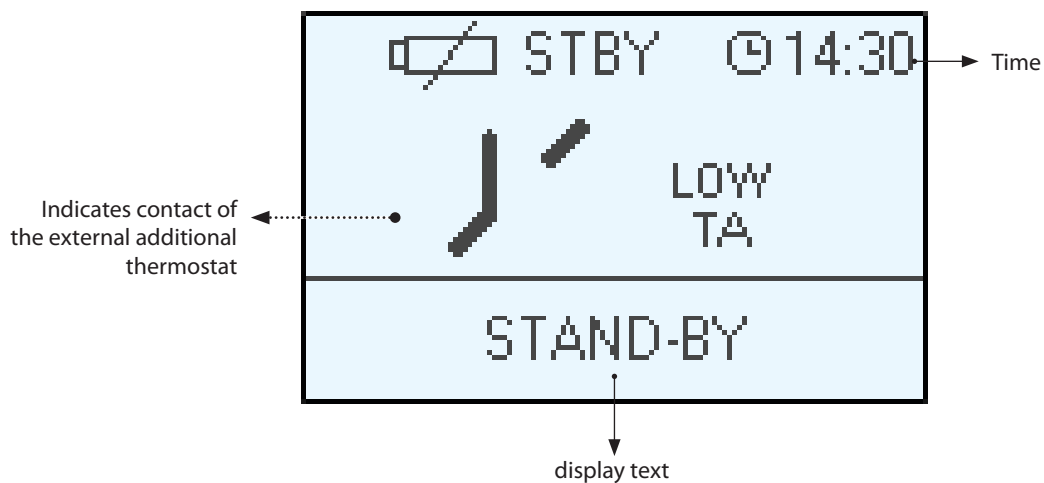
FREQUENCY BANDS	MAXIMUM POWER TRANSMITTED
868.3 MHz	4 mW ERP
869.85MHz	4 mW ERP

## DISPLAY

### SCREEN IN OPERATION






### SCREEN WITH EXTERNAL THERMOSTAT CONNECTED TO THE TERMINAL "TA"

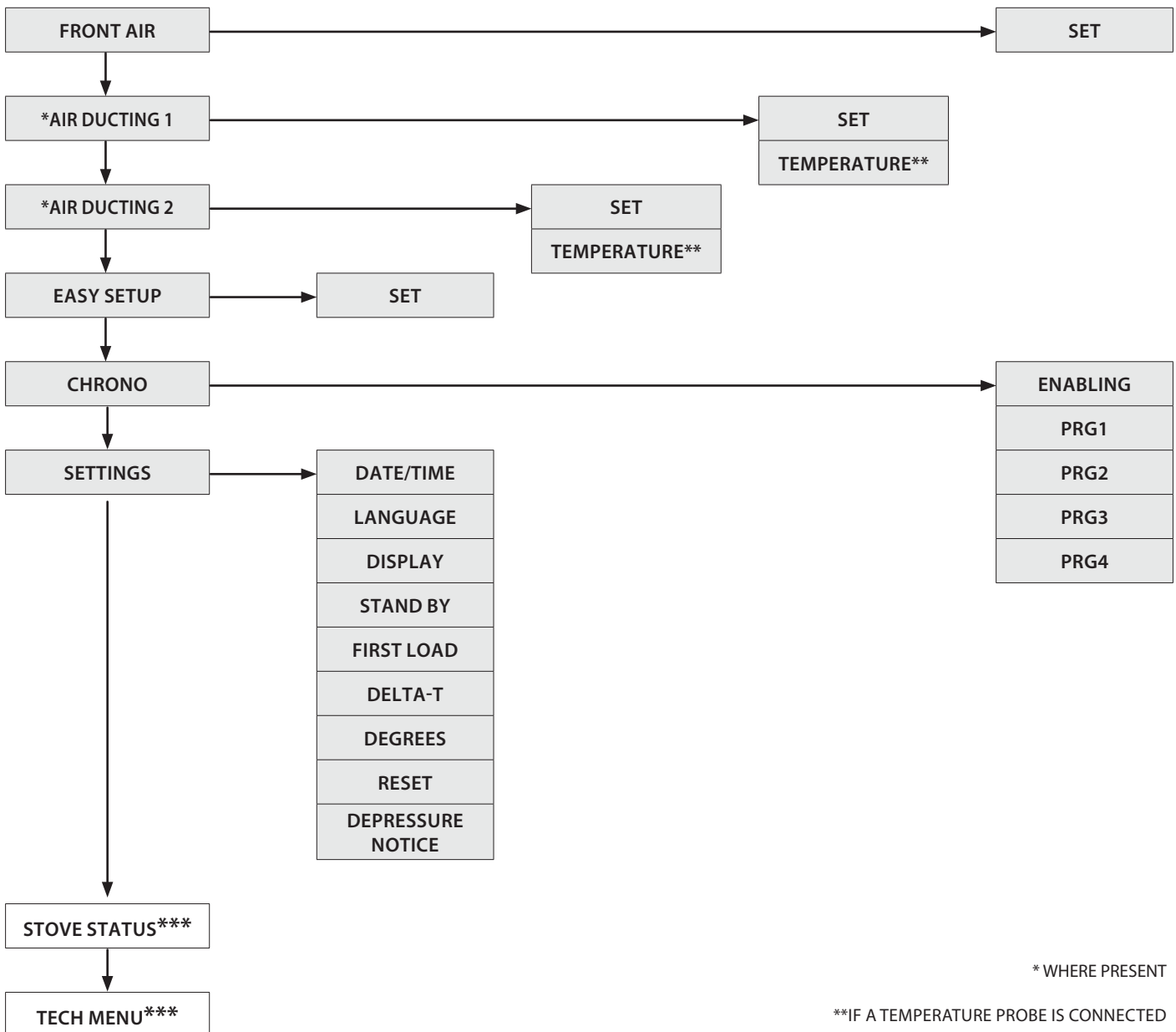




## GENERAL MENU

KEY	FUNCTION
	Scroll parameters Modify settings
	Ignition - switch-off key

KEY	FUNCTION
	Back - exit key
<b>OK</b>	Access menu key



\* WHERE PRESENT

\*\*IF A TEMPERATURE PROBE IS CONNECTED

\*\*\* TECHNICIANS ONLY

## GENERAL WARNINGS

### Advice to follow for the first start-ups of the product:

During the first hours of operation, there may be some smoke or odours, but they are due to the normal "thermal break-in" process. During this process, the duration of which changes depending on the product, it is recommended to:

- ♦ Ventilate the room well
- ♦ If present, remove any majolica parts from the top of the product
- ♦ Activate the product at the maximum power and temperature
- ♦ Avoid remaining in the room for a long time
- ♦ Do not touch the surfaces of the product

### Notes:

The process is completed after a few heating/cooling cycles.

Do not use for the combustion of elements or substances other than those indicated in the manual.

### Before turning on the product, it is necessary to perform the following checks:

- ♦ If it is intended to be connected to a hydraulic system, it must be complete and fully functional and in compliance with the instructions given in the product manual and with the relevant regulations in force.
- ♦ The pellet hopper must be completely loaded
- ♦ The combustion chamber and the burn pot must be clean
- ♦ Make sure that the fire holder, the ash pan and the pellet hopper close hermetically (if present in the hermetic version); they must be closed and there must be no foreign bodies in the sealing elements and gaskets.
- ♦ Check that the power cord is properly connected
- ♦ The bipolar switch (if present) must be set to position "1".

## FIRST IGNITION SETTINGS

Once the power cable at the back of the generator has been connected, move the switch, also located on the back, to (I).

The switch at the back of the generator powers the generator board.

The generator remains off and an initial screen appears on the panel, displaying OFF.

## MAINS POWER FREQUENCY 50/ 60HZ

If the generator is installed in a country with a frequency of 60Hz, the generator will display "POWER FREQUENCY ERROR". In this case, adjust the frequency to 60Hz.

## DATE/TIME

This menu allows the date and time to be set.

To set: OK > SETTINGS > DATE/TIME.

## LANGUAGE

This menu allows the preferred language to be selected.

The languages available are: Italian - English - German - French - Spanish - Portuguese.

To set: OK > SETTINGS > LANGUAGE.

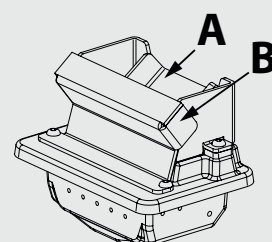
## DEGREES

This menu allows you to set the desired unit of measurement.

To set: OK > SETTINGS > DEGREES




**IT IS FORBIDDEN TO USE THE DEVICE WITHOUT A PARTITION (A) AND FLAME GUARD (B). REMOVAL WILL COMPROMISE THE SAFETY OF THE PRODUCT AND RESULT IN THE IMMEDIATE NULLIFICATION OF THE WARRANTY PERIOD. IN THE EVENT OF WEAR OR DETERIORATION, REQUEST THE PART'S REPLACEMENT FROM THE AFTER-SALES SERVICE (REPLACEMENT DOES NOT FALL WITHIN THE PRODUCT WARRANTY AS THE PART IS SUBJECT TO WEAR).**



## OPERATION AND LOGIC

### IGNITION

Once the previously listed points have been checked, press key  for three seconds to ignite the stove. During ignition, the stove will check for a flame for a period of 15 minutes. Once the control temperature has been reached, the stove interrupts the ignition phase and switches to PREPARATION.

### PREPARATION

During the preparation phase, the stove stabilises combustion, increasing it progressively, to then start ventilation and switch to WORK

### WORK

In the work phase, the stove operates at the POWER defined by the user, heating the room until SET THERMOSTAT is achieved. See next heading.

### ADJUSTING SET THERMOSTAT

The ambient SET THERMOSTAT can be set using keys 2 and 3, from LOW-TA 7 - 37 °C - HOT. If the value is between 7 - 37 °C, the stove checks the ambient temperature by means of the radio control probe. Once the set temperature has been reached, the stove automatically reduces the power, guaranteeing best comfort and reducing pellet consumption: this process is called "modulation".

### LOW-TA - HOT




If the SET THERMOSTAT is "LOW-TA" (set under the 7° threshold), temperature checking is entrusted to the additional thermostat contact, thus bypassing the radio control temperature probe.

If the contact is open (fulfilled), the stove works at minimum power.

If the contact is closed (request), the stove works at the set power.

If the setting is on "HOT" (set above 37°C), the stove only works at the set power, thus bypassing the external contact and the temperature probe.

### ADJUSTING SET POWER

The power has 5 operating levels, when key  is pressed, the set power is displayed; it can be changed using keys  or .

Power 1 = minimum level - Power 5 = maximum level.

The change must be confirmed by pressing the key **OK**.

### AUTO BLOW

During the work phase, the stove cleans the burn pot at regular intervals with an "AUTO BLOW".

When this procedure starts, a message is displayed. During the "AUTO BLOW" procedure, the pellet feed slow down and the fumes motor increases.

After cleaning, the stove resumes operation in normal conditions.

### SWITCH-OFF

Press the key  for three seconds.

Once this operation has been performed, the appliance automatically enters the switch-off phase, blocking the supply of pellets.

The flue gas exhaust motor and the hot air flow motor will remain on until the stove temperature has dropped below the safety settings.

### REIGNITION

The stove can only be re-ignited if the temperature of the exhaust fumes is lower than the preset threshold and the minimum safety time has passed.



**DO NOT USE ANY TYPE OF FLAMMABLE LIQUIDS FOR IGNITION!**  
**DO NOT ALLOW THE BAG OF PELLETS TO COME INTO CONTACT WITH THE BOILING HOT STOVE DURING THE FILLING PHASE!**  
**IN THE EVENT OF CONTINUED FAILURE TO LIGHT, CONTACT AN AUTHORISED TECHNICIAN.**



### NO IGNITION

**THE APPLIANCE MAY FAIL TO LIGHT BECAUSE THE AUGER IS EMPTY AND NOT ALWAYS ABLE TO LOAD THE BURN POT FAST ENOUGH WITH THE PELLETS NEEDED FOR NORMAL IGNITION.**  
**IF THE PROBLEM OCCURS AFTER ONLY A FEW MONTHS OF OPERATION, CHECK THAT THE ROUTINE CLEANING DESCRIBED IN THE STOVE HANDBOOK HAS BEEN CARRIED OUT CORRECTLY**

## FRONT AIR

This menu allows the front ventilation motor speed to be set. Range: (comfort, auto).  
 If comfort mode is selected, the front air speed is reduced.  
 To guarantee efficient combustion, front air is excluded when the appliance is running at minimum power.  
 To set: *OK > FRONT AIR > SET*

## AIR DUCTING 1

This menu allows a choice of two operating modes for air ducting 1, and the regulation of the set temperature if an NTC probe is connected in input: AUTO - COMFORT  
 To set: *OK > AIR DUCTING 1 > SET*  
 To adjust the temperature: *OK > AIR DUCTING 1 > TEMPERATURE*

## AIR DUCTING 2

This menu allows a choice of two operating modes for air ducting 2, and the regulation of the set temperature if an NTC probe is connected in input: AUTO - COMFORT  
 To set: *OK > AIR DUCTING 2 > SET*  
 To adjust the temperature: *OK > AIR DUCTING 2 > TEMPERATURE*

## EASY SETUP

The volumetric weight of the pellet is the ratio between the weight and the volume of the pellet. This ratio may change without altering pellet quality. By using the **EASY SETUP** function, it is possible to change the calibration of the volumetric weight by increasing or decreasing the preset values.  
 In the stove program, the available values range from “- 3” to “+ 3”; all stoves are calibrated during production with the optimal value which is 0

If you notice an excessive deposit on the burning pot, access the **EASY SETUP** program and lower the value by one unit to “- 1”; then wait until the next day and if there is no improvement, decrease again, to a maximum of “- 3”. Instead, if it is necessary to increase the calibration of the volumetric weight of the pellet, change the factory value from “0” to “+ 1, + 2, + 3” as required.

To set: *OK > EASY SETUP*

EXCESSIVE PELLETT DEPOSIT IN BURN POT			NORMAL OPERATION	MINIMUM PELLETT DEPOSIT IN BURN POT		
-3	-2	-1	0	+1	+2	+3
THIRD DECREASE RANGE IF THE FIRST TWO ARE INSUFFICIENT	SECOND DECREASE RANGE IF THE FIRST IS INSUFFICIENT	FIRST DECREASE RANGE (TEST FOR 1 DAY)	OPTIMAL FACTORY VALUE	FIRST INCREASE RANGE	SECOND INCREASE RANGE IF THE FIRST IS INSUFFICIENT	THIRD INCREASE RANGE IF THE FIRST TWO ARE INSUFFICIENT

**N.B.:** If these adjustments do not solve the problem of pellet deposits in the burn pot, please contact your local service centre.

## CHRONO

This function allows stove ignition and switch-off to be automatically programmed.  
 The factory setting for **CHRONO** is off.  
 The chrono allows the programming of 4 time slots per day, which can be used every day of the week. **For each time slot, it is possible to set ignition and switch-off times, specific days of application, desired temperature and set power. Current day and time settings are essential for the correct operation of the Chrono.**

### Recommendations

Before using the chrono function, it is necessary to set the current day and time. Therefore, check that the points in the sub-section “DATE-TIME” have been followed. To use the chrono function correctly, it must not only be programmed, but also enabled. The 4 time slots can be overlapped using the ignition and switch-off time settings. In this way, it is possible to create a combination of time slots with different temperatures and power levels, without changing the status of the stove.  
**N.B.:** in the case of overlapping time slots, the stove will remain on until the last switch-off time.

## ENABLING

Allows the chrono and the different stove time slots to be enabled/disabled.

To set: *OK > CHRONO > ABILITAZIONE.*

### PRG 1-4

Prg x allows you to set the on/off time, the days of use of the scheduled time slot and the temperature (LOW-TA - 07 - 37 °C - HOT), plus the required power. Current day and time settings are essential for the correct operation of the Chrono.

To set: *OK > CHRONO > PRGX*

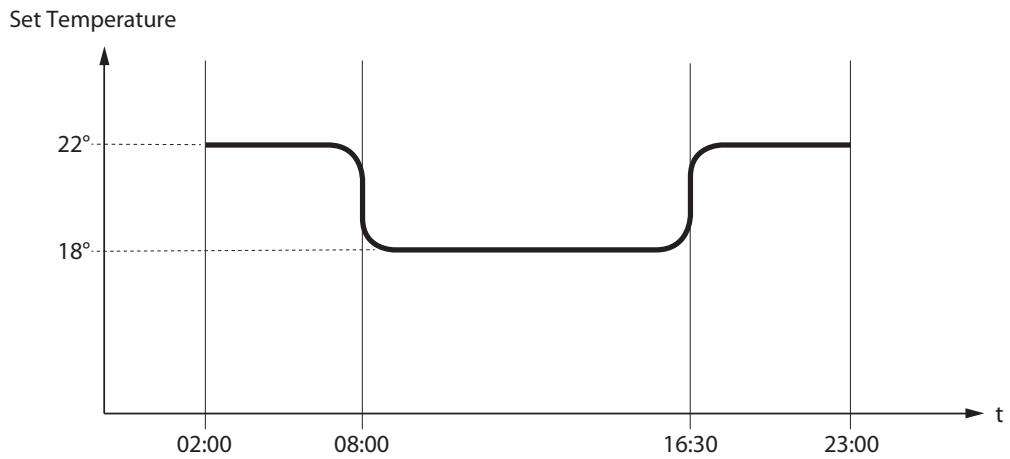
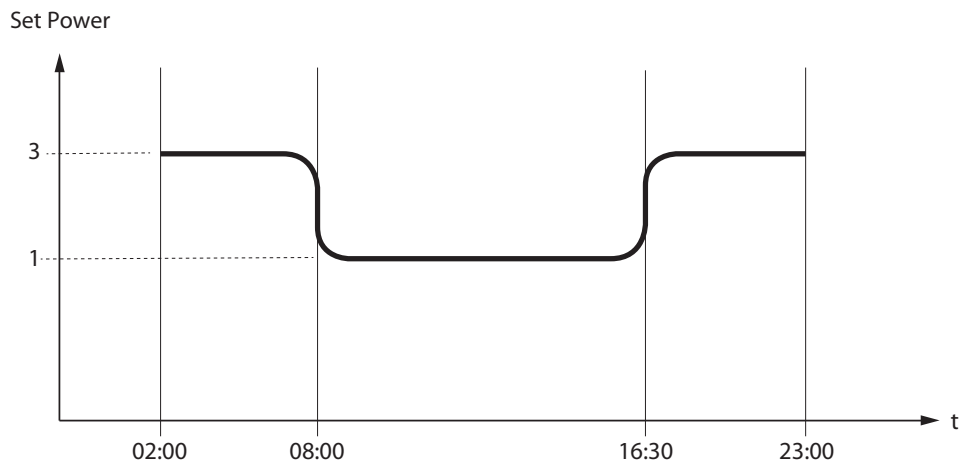
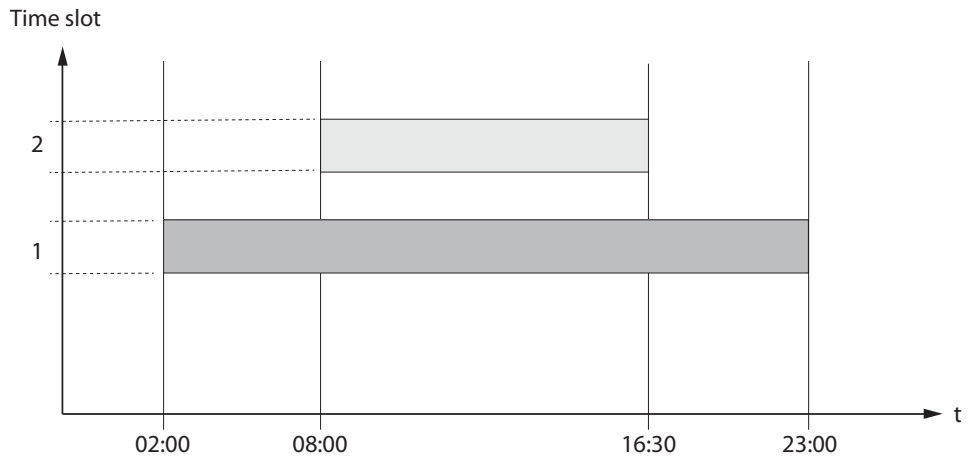
<b>CHRONO</b>	>	<b>ENABLING</b>	>	<b>PRG1</b>	<i>On/off</i>	<i>Enable/disable PRG 1</i>
	∨		<b>PRG2</b>	<i>On/off</i>	<i>Enable/disable PRG 2</i>	
	∨		<b>PRG3</b>	<i>On/off</i>	<i>Enable/disable PRG 3</i>	
	∨		<b>PRG4</b>	<i>On/off</i>	<i>Enable/disable PRG 4</i>	
	∨					
		<b>PRG1</b>	>	<b>START PRG1</b>	<i>OFF-00:00-23:50</i>	<i>PRG1 ignition time</i>
		∨		<b>STOP PRG1</b>	<i>OFF-00:00-23:50</i>	<i>PRG1 switch-off time</i>
		∨		<b>MONDAY...SUNDAY</b>	<i>On/off</i>	<i>Enable/disable days PRG1</i>
		∨		<b>SET PRG1</b>	<i>LOW-TA - 07- 37 °C - HOT</i>	<i>Set thermostat PRG1</i>
		∨		<b>POWER PRG1</b>	<i>1-5</i>	<i>Set power PRG1</i>
		∨				
		<b>PRG2</b>	>	<b>START PRG2</b>	<i>OFF-00:00-23:50</i>	<i>Ignition time PRG2</i>
		∨		<b>STOP PRG2</b>	<i>OFF-00:00-23:50</i>	<i>Switch-off time PRG2</i>
		∨		<b>MONDAY...SUNDAY</b>	<i>On/off</i>	<i>Enable/disable days PRG2</i>
		∨		<b>SET PRG2</b>	<i>LOW-TA - 07- 37 °C - HOT</i>	<i>Set thermostat PRG2</i>
		∨		<b>POWER PRG2</b>	<i>1-5</i>	<i>Set power PRG2</i>
		∨				
		<b>PRG3</b>	>	<b>START PRG3</b>	<i>OFF-00:00-23:50</i>	<i>Ignition time PRG13</i>
		∨		<b>STOP PRG3</b>	<i>OFF-00:00-23:50</i>	<i>Switch-off time PRG3</i>
		∨		<b>MONDAY...SUNDAY</b>	<i>On/off</i>	<i>Enable/disable days PRG3</i>
		∨		<b>SET PRG3</b>	<i>LOW-TA - 07- 37 °C - HOT</i>	<i>Set thermostat PRG3</i>
		∨		<b>POWER PRG3</b>	<i>1-5</i>	<i>Set power PRG3</i>
		∨				
		<b>PRG4</b>	>	<b>START PRG4</b>	<i>OFF-00:00-23:50</i>	<i>Ignition time PRG4</i>
				<b>STOP PRG4</b>	<i>OFF-00:00-23:50</i>	<i>Switch-off time PRG4</i>
				<b>MONDAY...SUNDAY</b>	<i>On/off</i>	<i>Enable/disable days PRG4</i>
				<b>SET PRG4</b>	<i>LOW-TA - 07- 37 °C - HOT</i>	<i>Set thermostat PRG4</i>
				<b>POWER PRG4</b>	<i>1-5</i>	<i>Set power PRG4</i>



**WHEN THE WEEKLY PROGRAMMER IS ACTIVE, THE RELATIVE ICON WILL BE SHOWN ON THE RADIO CONTROL DISPLAY.**



## EXAMPLE OF CHRONO OVERLAPPING TIMES/SLOTS



	Time slot 1	start 02:00 stop 23:00	Set Power 3 - Set Temp 22°C
	Time slot 2	start 08:00 stop 16:30	Set Power 1 - Set Temp 18°C
	stove operation		

## SETTINGS

- ◆ DATE/TIME
- ◆ LANGUAGE
- ◆ DEGREES

SEE CHAPTER: COMMISSIONING SETTINGS.

### DISPLAY

The "DISPLAY" menu allows:



- ◆ Regulation of DISPLAY contrast



- ◆ Activation/Deactivation of backlight.



- ◆ Enabling/disabling of acoustic signal.

- STAND-BY ◆ Setting of the timer to turn off the Display backlight.

- RESET ◆ Setting of the timer to turn off the Display (sleep mode).

To set: *OK* > *SETTINGS* > *DISPLAY*.

DISPLAY	
	25
	ON
	ON
STAND-BY	4sec
RESET	20sec

### STAND BY

The STAND BY function is used if the stove needs to be turned off immediately instead of a power modulation.

To set: *OK* > *SETTINGS* > *STAND BY*.

#### STAND BY FUNCTION SET TO ON

If the STAND BY function is enabled (ON) and the ambient temperature exceeds the SET THERMOSTAT + DELTA-T OFF value, then the stove switches off after a preset factory delay, and STAND BY will be displayed on the screen.

When the ambient temperature is less than SET THERMOSTAT - DELTA-T ON and after a certain cooling time, the stove ignites again.

#### STAND BY FUNCTION SET TO OFF (FACTORY SETTING)

When the STAND BY function is not enabled (OFF), if the stove exceeds the set ambient temperature, it will switch to the minimum power level, modulating and displaying MODULATION on the screen. When the room temperature is lower than the SET THERMOSTAT the stove will restart at the set power and WORK will be displayed on the screen.

### OPERATION WITH ADDITIONAL THERMOSTAT (OPTIONAL)

#### STAND BY FUNCTION SET TO OFF (FACTORY SETTING)

When the STAND BY function is not activated (OFF), if the stove exceeds the room temperature set on the supplementary thermostat (open contact), it switches to the minimum power level and displays MODULATION on the screen. When the ambient temperature is lower than the set value on the additional thermostat (closed contact), the stove will resume operation at the set power, and WORK will be displayed on the screen.

#### STAND BY FUNCTION SET TO ON

If the STAND BY function is activated (ON), when the room temperature set on the supplementary thermostat is reached (open contact), the stove will switch off after a pre-set default delay period, and STAND BY will be displayed on the screen.

When the ambient temperature is less than the set temperature on the additional thermostat (closed contact), and after a certain cooling time, the stove ignites again.



FOR CORRECT OPERATION, THE SET THERMOSTAT MUST BE SET TO LOW-TA.  
> SEE THE INSTALLATION CHAPTER SUPPLEMENTARY THERMOSTAT

## FIRST LOAD

This function allows you to activate the gearmotor for loading pellets continuously. Before starting the function, make sure the stove is cold and "OFF".

To set: *OK > SETTINGS > FIRST LOAD*

To stop continuous loading, just press and hold key 6 for 2 seconds.

### Quick access:

Before starting the function, make sure the stove is cold and "OFF".

Press keys 6 + 4 at the same time for two seconds until the message "FIRST LOAD" is displayed.

To stop continuous loading, just press and hold key 6 for 2 seconds.

---

## DELTA-T

This function allows the hysteresis thresholds to be set for stove ignition (DELTA-T ON) and switch-off (DELTA-T OFF), used as an ambient temperature adjustment interval if not managed by an external thermostat.

The possible values of DELTA-T vary between 0.5 - 5 °C

To set: *OK > SETTINGS > DELTA-T*

---

## RESET

Allows the user to reset all editable values to the default values.

To set: *OK > SETTINGS > RESET.*

---

## DEPRESSURE NOTICE

Allows the radio control buzzer to be activated for an acoustic warning if the door is opened.

Please note: Activation can reduce battery life by 30%.

The battery life depends on the usage

To set: *OK > SETTINGS > DEPRESSURE NOTICE.*

---

## ADDITIONAL FUNCTIONS

### DELAY SWITCH-OFF

You can program a delayed switch-off for the stove. For example, if it is 8 pm and the delayed switch-off is set to 1h, the stove will automatically switch off at 9 pm.

If you press and hold keys 6 + 2 at the same time, the screen "DELAY SWITCH-OFF" will appear, (this setting can only be configured if the stove is in the **PREPARATION** or **WORK** phase).

Use keys 2 and 3 to increase/decrease the number of hours after which the stove will automatically start the final cleaning phase.

The number of hours range from OFF, 1 to 9.

Press P6 to confirm and return to the home page.

One hour after the set switch-off time, the remaining operating time is indicated by displaying at one-minute intervals "switch off in" and the time "HOURS xx:xx".



TO FIND OUT WHERE YOUR NEAREST SERVICE CENTRE IS, CONTACT YOUR DEALER OR VISIT THE WEBSITE: [WWW.LANORDICA-EXTRAFLAME.COM](http://WWW.LANORDICA-EXTRAFLAME.COM)

## CLEANING AND MAINTENANCE

**ALWAYS FOLLOW THE INSTRUCTIONS IN COMPLETE SAFETY!**

- ♦ MAKE SURE THAT THE POWER CORD IS UNPLUGGED BECAUSE THE GENERATOR MAY HAVE BEEN PROGRAMMED TO SWITCH ON.
- ♦ THAT THE GENERATOR IS COLD ALL OVER.
- ♦ THE ASHES ARE COMPLETELY COLD.
- ♦ ENSURE EFFICIENT AIR EXCHANGE IN THE ROOM DURING PRODUCT CLEANING OPERATIONS.
- ♦ POOR CLEANING WILL COMPROMISE CORRECT OPERATION AND SAFETY!

## MAINTENANCE

For correct operation, the generator must undergo routine maintenance by a qualified technician, at least once a year. The periodic inspection and maintenance operations must always be performed by specialised, qualified technicians, who operate in accordance with the laws in force and the instructions given in this use and maintenance manual.



**EVERY YEAR, HAVE THE FUME EXTRACTION SYSTEM, FLUE PIPES AND "T" FITTINGS, INCLUDING THE INSPECTION CAPS CLEANED. IF PRESENT, ALSO CLEAN THE ELBOWS AND HORIZONTAL SECTIONS!  
THE GENERATOR CLEANING FREQUENCY IS INDICATIVE! IT DEPENDS ON THE QUALITY OF THE PELLETS AND FREQUENCY OF USE.  
THESE OPERATIONS MAY SOMETIMES NEED TO BE PERFORMED MORE OFTEN**

## PERIODIC CLEANING UNDER USER'S RESPONSIBILITY

The periodic cleaning operations, as indicated in this use and maintenance manual, must be performed with the utmost care after reading the instructions, procedures and frequency described in this use and maintenance manual.

### CLEANING THE SURFACES AND COVERING

**Never use abrasive or chemically aggressive detergents for cleaning!**

The surfaces must be cleaned when the generator and covering are completely cold. For the maintenance of the surfaces and metal parts, simply use a cloth dampened with water or water and neutral soap.

Failure to comply with these instructions may damage the surfaces of the generator and cause the invalidation of the warranty.

### CLEANING THE CERAMIC GLASS

**Never use abrasive or chemically aggressive detergents for cleaning!**

The ceramic glass must be cleaned when the glass is completely cold.

To clean the ceramic glass, simply use a dry brush and some damp newspaper dipped in ash. If the glass is very dirty, use a specific cleaning agent for ceramic glass. Spray a small amount on a cloth and use it on the ceramic glass. Do not spray the cleaning agent or any other liquid directly on the glass or seals!

Failure to comply with these instructions may damage the surfaces of the ceramic glass and cause the invalidation of the warranty.

### CLEANING THE PELLET HOPPER

When the hopper is completely empty, disconnect the power cord of the generator, remove the residue (dust, chippings, etc.) from the empty hopper and then fill it up.



**THE PELLET HOPPER GASKETS, BURN POT AND FIRE DOOR GUARANTEE CORRECT STOVE OPERATION. THESE NEED TO BE PERIODICALLY CHECKED BY THE USER. IF THEY ARE WORN OR DAMAGED, IMMEDIATELY REPLACE THEM. THESE OPERATIONS MUST BE CARRIED OUT BY A QUALIFIED TECHNICIAN.**

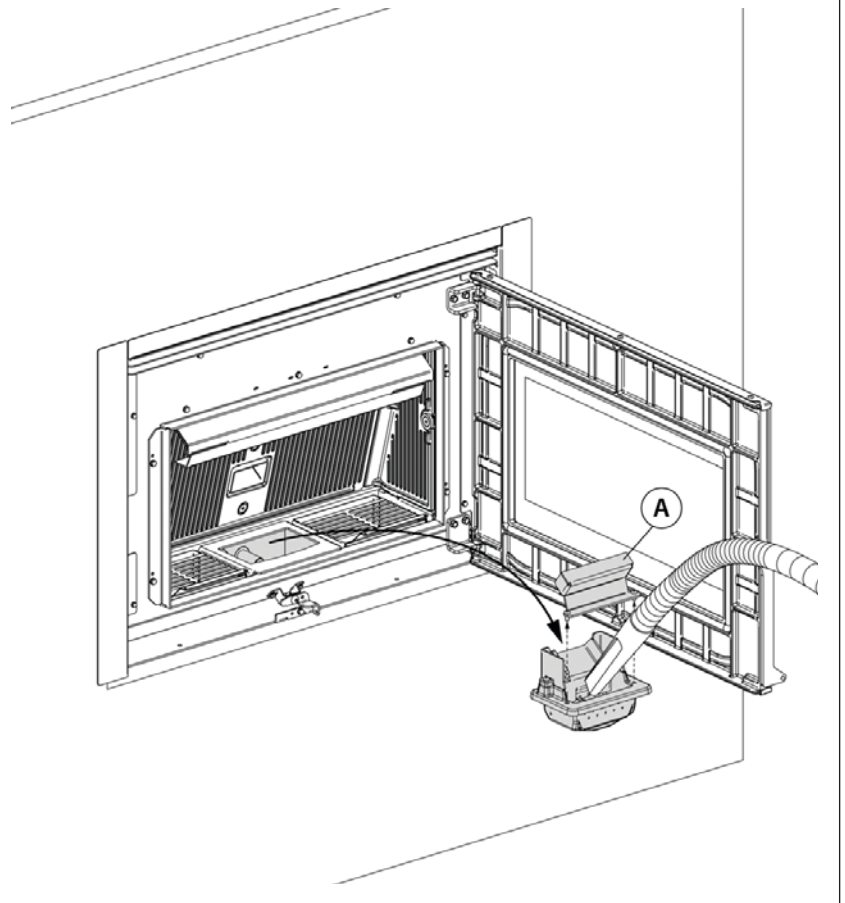


**IF THE POWER CORD IS DAMAGED, IT MUST BE REPLACED BY THE SERVICE CENTRE OR BY A SIMILARLY QUALIFIED PERSON, SO AS TO AVOID ALL RISKS.**

## BURN POT AND COMBUSTION CHAMBER:

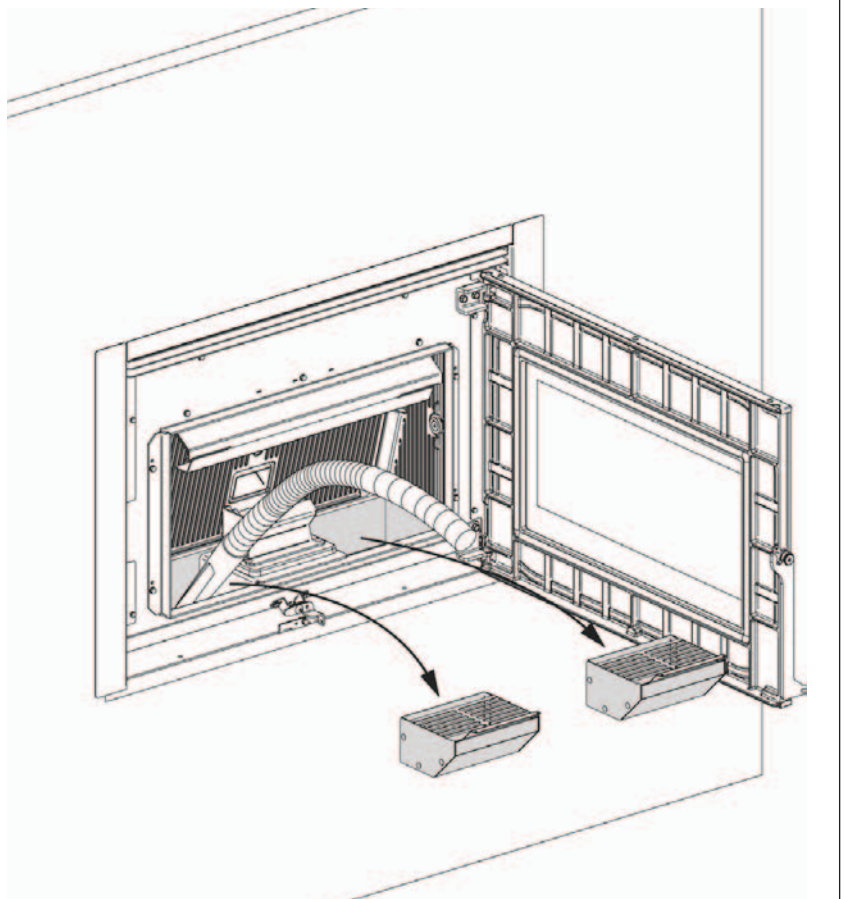
- ◆ Remove the burn pot completely from the relevant compartment.
- ◆ Once the flame guard (A) has been removed, vacuum the residue in the burn pot.
- ◆ Unblock all the holes in the burn pot using the supplied poker.
- ◆ Suck up the ash from the burn pot seat and combustion chamber.
- ◆ Re-position the burn pot in its slot and push it towards the fire wall and reposition the flame guard (A)
- ◆ Suck up the ash deposit from the ash collection trays;

*NOTE: Use a suitable ash vacuum cleaner with a specific container for separation of the ash collected.*



## ASH DRAWER:

- ◆ Remove the two ash drawers and empty them into a dedicated container.
- ◆ Vacuum the ash deposit in the combustion chamber compartment.
- ◆ Put the two ash drawers back.

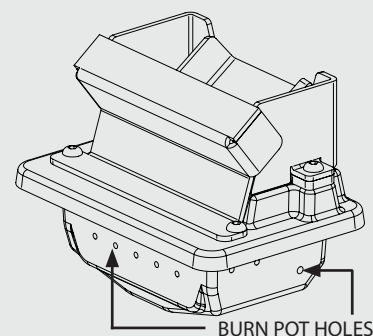


## A CLEAN BURN POT GUARANTEES CORRECT OPERATION!



BY KEEPING THE BURN POT AND ITS HOLES CONSTANTLY CLEAN AND FREE OF COMBUSTION RESIDUE, EXCELLENT COMBUSTION IS GUARANTEED OVERTIME, THUS PREVENTING ANY GENERATOR MALFUNCTIONS THAT MAY REQUIRE TECHNICAL ASSISTANCE.

THE "EASY SETUP" FUNCTION IN THE USER MENU CAN BE USED TO ADAPT COMBUSTION ON THE BASIS OF THE NEEDS DESCRIBED.



PARTS/FREQUENCY	EVERY DAY	EVERY 3-4 DAYS	EVERY YEAR
BURN POT	X		
COMBUSTION CHAMBER	X		
SHELL AND TUBE HEAT EXCHANGER			X
ASH DRAWER		X	
T-SHAPED FITTING/ FLUE PIPE			X

TO FIND OUT WHERE YOUR NEAREST SERVICE CENTRE IS, CONTACT YOUR DEALER OR VISIT THE WEBSITE:  
[WWW.LANORDICA-EXTRAFLAME.COM](http://WWW.LANORDICA-EXTRAFLAME.COM)

## ROUTINE MAINTENANCE PERFORMED BY QUALIFIED TECHNICIANS

### Routine maintenance must be performed at least once a year.

Given the generator uses pellets as solid fuel, it requires annual routine maintenance, which must be performed by a **Qualified technician, using only original spare parts.**

Failure to comply may jeopardise safety of the appliance and invalidate the warranty conditions.

By observing the cleaning schedule reserved to the user described in the use and maintenance manual, the generator will be guaranteed correct combustion over time, thus preventing any faults and/or malfunctions which may require subsequent technical assistance. Requests for routine maintenance are not covered by the warranty.

### GASKETS: PELLET HOPPER LID, DOOR, ASH DRAWER AND BURN POT

The gaskets ensure the proper sealing of the stove and therefore its proper operation.

They must be periodically checked and immediately replaced if worn or damaged.

These operations must be carried out by a qualified technician.

### CONNECTION TO THE FLUE

Annually, or in any case each time the flue pipe needs to be vacuumed and cleaned. If there are horizontal sections, the residue must be removed to prevent it from obstructing the flow of fumes.

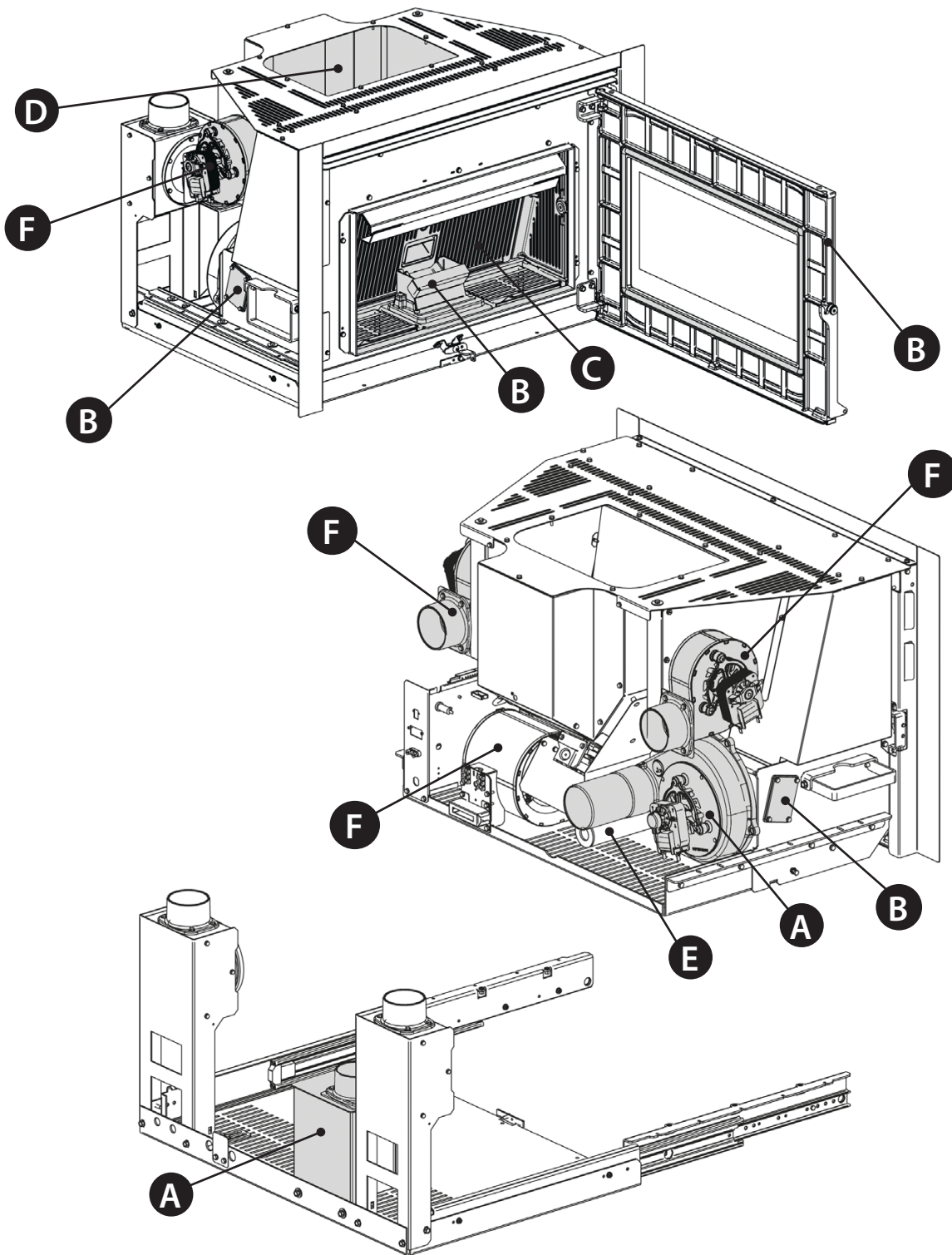
### SHUT-DOWN (END OF SEASON)

At the end of each season, before turning the stove off, it is advisable to completely empty the pellet hopper, removing any pellet residue and dust with a vacuum cleaner.

Routine maintenance must be performed at least once a year.

## ROUTINE MAINTENANCE

THE IMAGES ARE FOR ILLUSTRATIVE PURPOSES.



<b>A</b>	Fumes motor (dismantling and cleaning, flue pipe and "T" fitting).
<b>B</b>	Gaskets, inspections, door (replace if necessary), burn pot and heat exchanger
<b>C</b>	Combustion chamber and heat exchanger (full cleaning) including ignition plug pipe
<b>D</b>	Hopper (complete emptying and cleaning).
<b>E</b>	Check air intake pipe.
<b>F</b>	Dismantling of ambient air fan and removal of dust and pellet residue.

## DISPLAYS

UPDATE	REASON
<b>OFF</b>	Generator off
<b>START</b>	The START phase is in progress
<b>PELLET LOADING</b>	Continuous pellet feeding is in progress during the ignition state
<b>IGNITION</b>	The phase dedicated to ignition is in progress
<b>PREPARATION</b>	The flame stabilisation phase is in progress
<b>WORK</b>	The generator has reached operating capacity and is working on user settings
<b>MODULATION</b>	The generator is working at minimum capacity
<b>FINAL CLEANING</b>	The cleaning cycle is in progress which is required to cool the machine before it is switched off
<b>STAND-BY</b>	Generator off but in stand-by to reignite autonomously if required by operating requests
<b>COOLING STAND BY</b>	The generator is requested to turn on during the shut-down phase. If activated, the generator will automatically turn on again as soon as safety conditions permit it to do so
<b>BLACK OUT STAND BY</b>	The generator is cooling after a power cut. Once cooling is completed, it will re-start automatically
<b>AUTO BLOW</b>	The auto blow is in progress to keep the burn pot clean and maximise combustion efficiency
<b>EMPTY HOPPER</b>	The pellet hopper is empty. Check for the presence of pellets in the hopper. Contact the after-sales centre.
<b>CLOSE HOPPER-STOVE DOOR</b>	This indication means that you have 60 seconds to close the hatch/door and the pellet lid. After 60 seconds have passed, the stove will enter "DEPR ALARM" during the ignition phase while during normal operation, the stove will enter "COOLING STAND BY" and then, restart automatically when the conditions are right (clod stove, etc.).

## ALARMS

UPDATE	EXPLANATION	SOLUTION
<b>FUMES MOTOR FAULT</b>	Fumes motor fault	Contact the after-sales centre
<b>FUMES PROBE</b>	Fumes probe fault	Contact the after-sales centre
<b>HOT FUMES</b>	High fumes temperature	Check the pellet flow (see "Pellet load adjustment"). If the problem is not solve, contact a qualified technician
<b>NO IGNITION</b>	The pellet hopper is empty Pellet feed calibration inadequate	Make sure there are pellets in the hopper. Adjust the pellet flow (see "Pellet load adjustment"). Check the procedures described in the "Ignition" chapter.
<b>NO IGNITION BLACK OUT</b>	No current during the ignition phase	Take the stove to off conditions using key 1 and repeat the procedure described in the "Ignition" chapter.
<b>NO FLAME</b>	The pellet hopper is empty No pellet load The auger motor is not loading the pellets	Make sure there are pellets in the hopper. Adjust the pellet flow (see "Pellet feed adjustment").
<b>DEPR ALARM</b>	The door is not closed correctly The combustion chamber is dirty The fumes exhaust pipe is blocked/dirty	Check hermetic door closure. Check cleanliness of the fumes pipe and the combustion chamber.
<b>AUGER CONTROL ALARM</b>	Abnormal pellet loading	Contact after-sales centre

# GUARANTEE TERMS

**1.** EXTRAFLAME S.p.A. products are guaranteed, within the European community, for 24 months from the date of purchase. Purchase has to be proved by means of a valid fiscal document issued by the seller (receipt, invoice or shipment document) identifying the purchased product and its purchase and/or delivery date.

**WARNING:** *This conventional guarantee does not replace the guarantee regulated by the European legislation on consumer rights.*

The conventional guarantee is only applicable to the Italian region and to those areas, within the European Community, where the Authorised Technical Assistance Centres are active (see the [www.lanordica-extraflame.com](http://www.lanordica-extraflame.com) website)

It is also limited to the state of residence of the consumer, which must coincide with the premises and/or registered office of the seller of the EXTRAFLAME S.p.A. product

These regulations do not apply if the product is purchased within commercial, entrepreneurial, or professional circumstances. In these cases the product guarantee will be limited to a period of 12 months from the date of purchase.

## ITALIAN GUARANTEE

What must be done if there is a product malfunction:

Consult the instructions manual to make sure the malfunction cannot be solved by using the product correctly. Make sure the malfunction is included in those covered by the guarantee; otherwise the cost of the intervention will be borne entirely by the consumer. When requesting the intervention of the Assistance service at the Authorised Assistance Centre, always specify: - type of malfunction - model of the appliance - complete address - phone number

## EUROPEAN GUARANTEE

What must be done if there is a product malfunction:

Consult the instructions manual to make sure the malfunction cannot be solved by using the product correctly. Make sure the malfunction is included in those covered by the guarantee; otherwise the cost of the intervention will be borne entirely by the consumer. Request the intervention of the Assistance service or the address of the Authorised Technical Assistance Centre to the seller; always specify: type of malfunction, model of the appliance, complete address and phone number

*If the malfunction arises in the first 6 months of the product's life, the consumer has the right to have the product repaired with no expense. From the seventh to the twenty-fourth month, if a malfunction arises, the consumer will bear the cost of the call, while the seller will pay for the manpower and for any spare parts used.*

**2.** If the malfunction is linked to external events and/or conditions such as, including but not limited to, insufficient capacity of the systems; wrong installation and/or maintenance by the personnel which hasn't got the skills prescribed by the laws of the country of residence of the consumer; negligence; inability to use the product and wrong maintenance by the consumer, with respect to what is reported and recommended by the instructions manual of the product, which is part of the sales contract, this guarantee will be void.

Damage to the product that cannot be related to manufacturing defects are also not included in this guarantee. Similarly are excluded defects related to incorrect operation of the flue, according to the legislation in force in the country at the moment of purchase. Other exclusions include all product defects due to carelessness, accidental breakdown, tampering and/or damage during transport (scratches, dents, etc.), interventions carried out by unauthorised personnel and further damage caused by incorrect interventions by the consumer trying to arrange the initial malfunction.

The following consumables are excluded by the guarantee: gaskets, ceramic or tempered glasses, cast iron grilles or coatings, refractory materials (e.g. Nordiker or others), painted, chrome-plated or golden parts, majolica ware, handles, the brazier and its related components. For Idro products the heat exchanger is not covered by the guarantee if a suitable condensation-proof circuit is not set up to ensure a return temperature of the device of at least 55°C. The guarantee excludes all the external components on which the consumer can directly operate during use and/or maintenance or that can be subject to wear and/or rust and stains on steel due to aggressive detergents.

If malfunctions are signalled which are not later confirmed during check by an authorised technician, the cost of the intervention will be borne entirely by the consumer.

**3.** If it is not possible to restore product conformity by repairing it, the product/component will be replaced, the guarantee expiration date and conditions will remain the same established when the product/component to be replaced has been purchased.

**4.** EXTRAFLAME S.p.A. cannot be held liable for injury or damage which may - either directly or indirectly - be caused to persons, animals and property ensuing from failure to observe all the instructions provided in the relevant instruction manual and the warnings regarding installation, use and maintenance of the product, that can also be downloaded on the website.

**5.** Interventions for adjusting and/or regulating the product for the type of fuel or other reasons are excluded by the guarantee.

**6.** If the product is repaired in one of the Authorised Technical Assistance Centres indicated by EXTRAFLAME S.p.A. and if the product is replaced, transport will be free of charge. If the technician can repair the product at the user's place of residence and they refuse, transport to the workshop and redelivery will be paid by the consumer.

**7.** After the 24 months of the guarantee have elapsed any repair intervention cost will be completely borne by the consumer.

**8.** In the case of disputes the only competent court is that of the EXTRAFLAME S.p.A. registered office - (Vicenza-Italy)

## ADDITIONAL WARNINGS

- ◆ Only use the fuel recommended by the manufacturer. The product must not be used as an incinerator.
- ◆ Do not use the product as a ladder or supporting structure.
- ◆ Do not place laundry on the product to dry it. Any clothes-horse or similar objects must be kept at due distance from the product. Danger of fire or damage to the coating.
- ◆ The user is fully liable for any incorrect use of the product. The manufacturer bears no civil or criminal liability for incorrect use.
- ◆ Unauthorised tampering of any nature or replacement of spare parts of the product with non-original parts may endanger the operator and the manufacturer bears no civil or criminal liability for this.
- ◆ Large parts of the surface of the product can get very hot (door, handle, glass, smoke outlet pipes, etc.). Please therefore avoid coming into contact with these parts without wearing suitable protective clothing or using appropriate measures, such as heat protective gloves.
- ◆ DO NOT use the product with the door open or if the glass is broken.
- ◆ The product must be electrically connected to a system equipped with an operational earthing system.
- ◆ Turn off the product in the event of a failure or malfunctioning.
- ◆ Unburned pellets that build up in the burner following each failed start-up must be removed before attempting to start up the product again. Make sure that the burner is clean and correctly positioned before starting it up again.
- ◆ Do not wash the product with water. Water may penetrate into the unit and cause faults in the electrical insulation. This can cause electric shocks.
- ◆ Installations not complying with the regulations in force, as well as incorrect use and failure to comply with the maintenance scheduled by the manufacturer, will invalidate the guarantee.

## DISPOSAL

### INFORMATION FOR MANAGEMENT OF ELECTRIC AND ELECTRONIC APPLIANCE WASTE CONTAINING BATTERIES OR ACCUMULATORS



This symbol, which is used on the product, batteries, accumulators or on the packaging or documents, means that at the end of its useful life, this product, the batteries and the accumulators included must not be collected, recycled or disposed of together with domestic waste. Improper management of electric or electronic waste or batteries or accumulators can lead to the leakage of hazardous substances contained in the product. For the purpose of preventing damage to health or the environment, users are kindly asked to separate this equipment and/or batteries or accumulators included from other types of waste and to arrange for disposal by the municipal waste service. It is possible to ask your local dealer to collect the waste electric or electronic appliance under the conditions and following the methods provided by national laws transposing the Directive 2012/19/EU.

Separate waste collection and recycling of unused electric and electronic equipment, batteries and accumulators helps to save natural resources and to guarantee that this waste is processed in a manner that is safe for health and the environment.

For more information about how to collect electric and electronic equipment and appliances, batteries and accumulators, please contact your local Council or Public Authority competent to issue the relevant permits.

# **Extraflame**®

## Riscaldamento a Pellet

**EXTRAFLAME S.p.A.** Via Dell'Artigianato, 12 36030 - MONTECCHIO PRECALCINO (VI) - ITALY  
☎ +39.0445.865911 - 📠 +39.0445.865912 - ✉ info@extraflame.it - 🌐 www.lanordica-extraflame.com

**MADE IN ITALY**  
design & production

*TO FIND THE SERVICE CENTRE NEAREST TO YOU  
CONTACT YOUR DEALER OR CONSULT  
THE SITE [WWW.LANORDICA-EXTRAFLAME.COM](http://WWW.LANORDICA-EXTRAFLAME.COM)*

The manufacturer reserves the right to vary the characteristics and the data reported in this pamphlet at any moment and without notice, in order to improve its products.  
This manual, therefore, cannot be regarded as a contract towards other parties.